

Thank you for choosing a **PALACE IMPORTS** product.
Your total satisfaction is our #1 priority.

Customer Service and Warranty Information

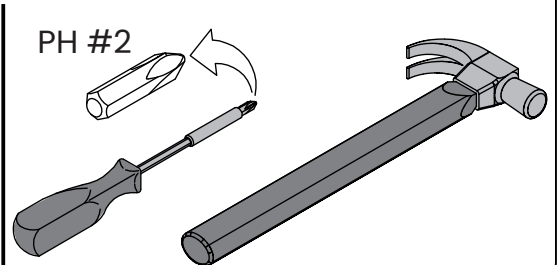
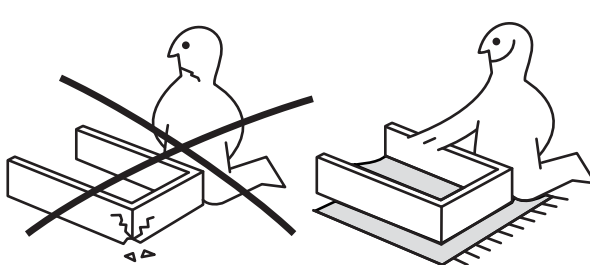
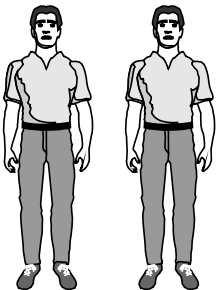
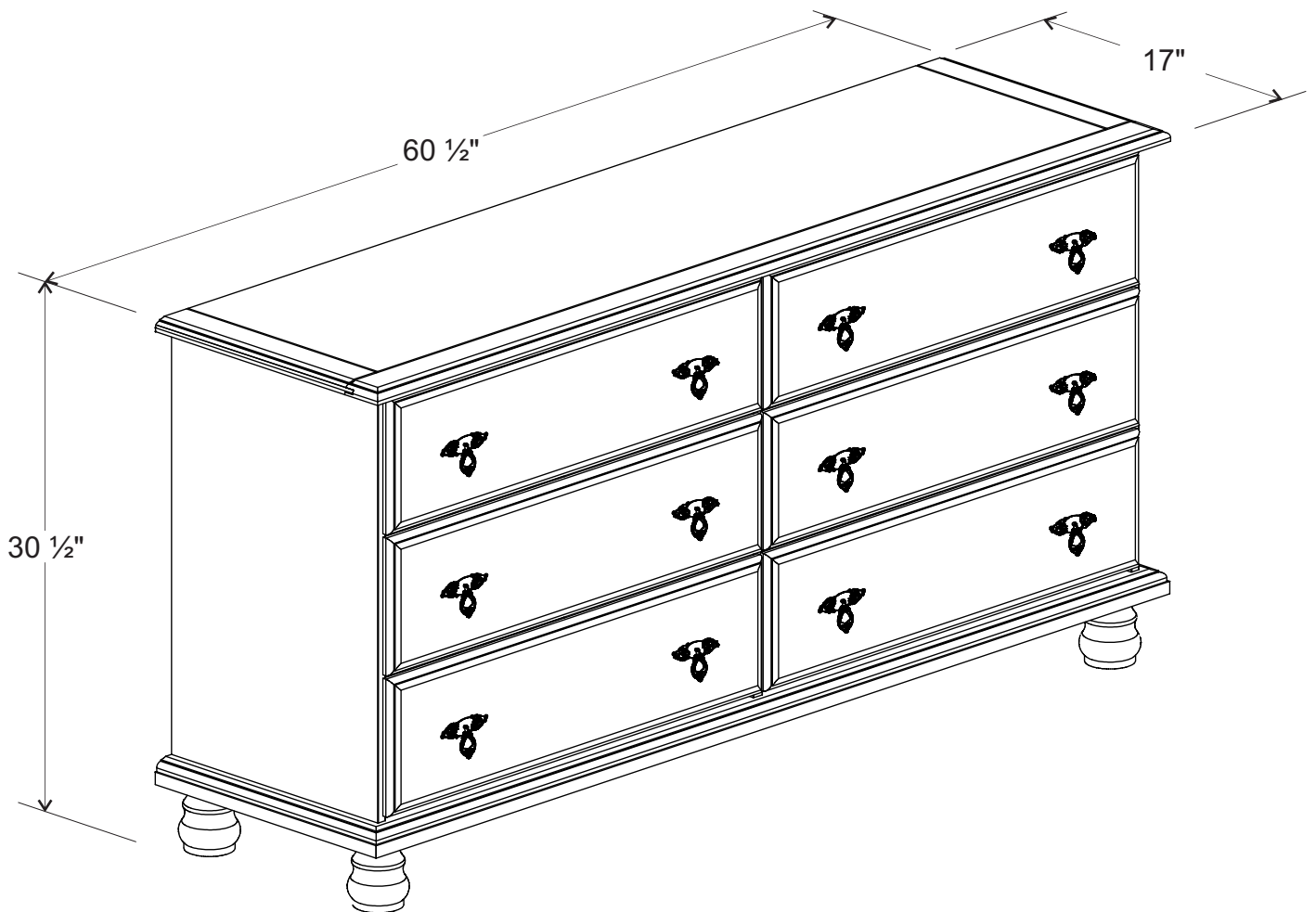
- Should you have a problem or need more information concerning the warranty, **do not contact the place of purchase. Please email our customer service department for immediate assistance at info@palaceimportsinc.com or go to www.palaceimportsinc.com**
- PALACE IMPORTS products are warranted to the original purchaser against defects in material or workmanship in the furniture. Defects as mentioned in this warranty refer to any imperfections which may impair the use of the product. Our warranty is expressly limited to the replacement of furniture parts and components for one year following the date of purchase.
- PALACE IMPORTS will replace any part that is defective. This warranty applies under conditions of normal use. Our furniture products are not intended for outdoor use. The warranty does not cover defects caused by improper assembly or disassembly, defects occurring after purchase due to product modifications, intentional damage, accident, misuse, exposure to the elements and labor or assembly costs.
- PALACE IMPORTS reserves the right to request proof of purchase to document a warranty claim. In no event shall PALACE IMPORTS be liable for incidental or consequent damages resulting from the misuse of the product.



ASSEMBLY GUIDE

KYLE 6-DRAWER DRESSER

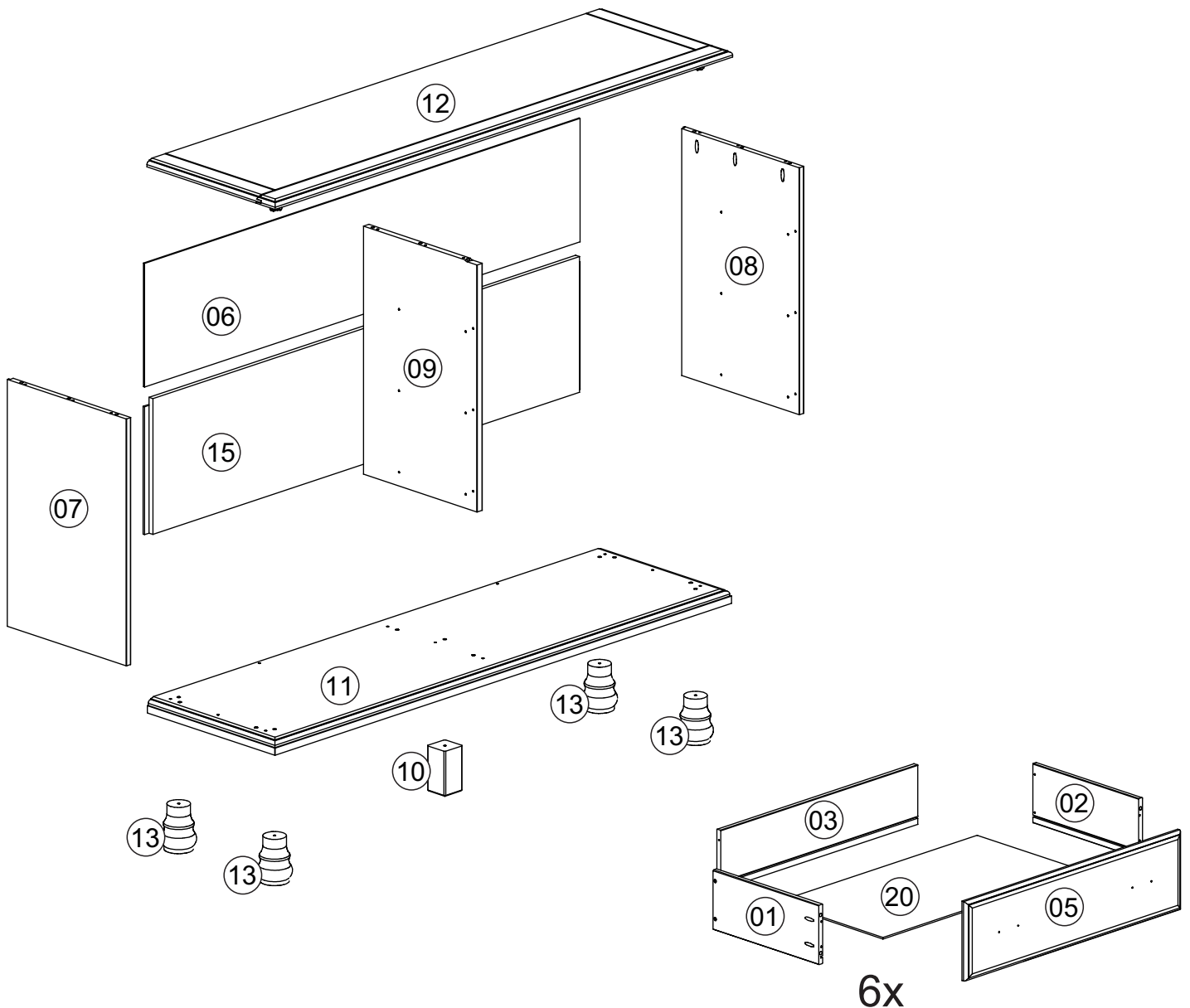
SKU 8401 - White
SKU 8403 - Mocha
SKU 8406 - Java





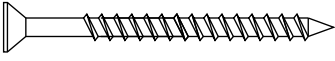


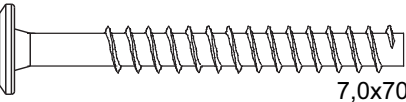
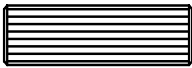
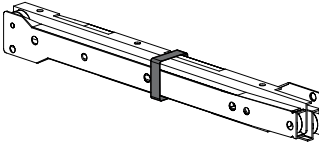
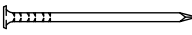
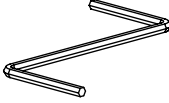

PRE-ASSEMBLY PREPARATION

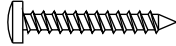
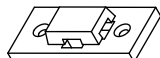

- Please check the contents before assembling. A full checklist of parts is provided below.
- If any parts are missing or damaged, please contact us at info@palaceimportsinc.com
- Assemble on a flat, smooth surface on top of a blanket
- Use only low-speed power drill setting
- Assemble as near as possible to the point of use
- The hardware pack contains SMALL ITEMS which should be KEPT AWAY FROM YOUNG CHILDREN

PARTS DIAGRAM



SCREWS ARE SHOWN IN ACTUAL SIZE

A1	 4,0x30	57+3
A7	 3,0x16	31+2
A16	 4,0x40	11+1
A42	 4,0x14	24+2
B31	 6,0x10	36+2
B19	 7,0x70	05
C2	 8,0x25	39+2
E1	 330mm - 13"	06
E2		06
G1	 10x10	28
G3		01
H20		12

FURNITURE TIPOVER RESTRAINT KIT		
A8	 3,0x20	02+1
F8		02
F9		01

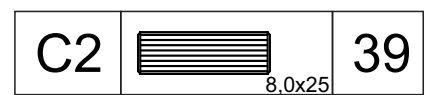
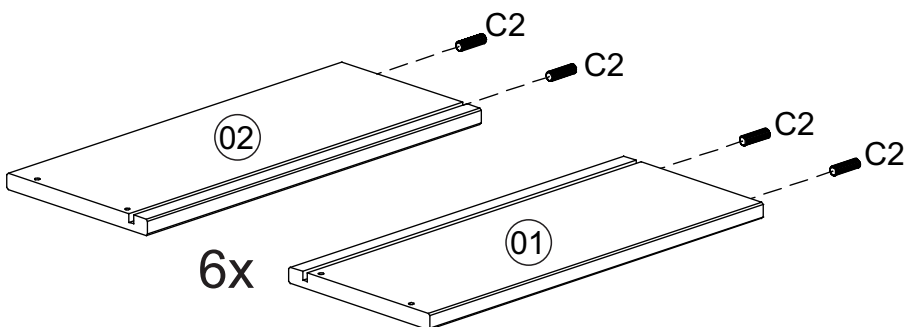
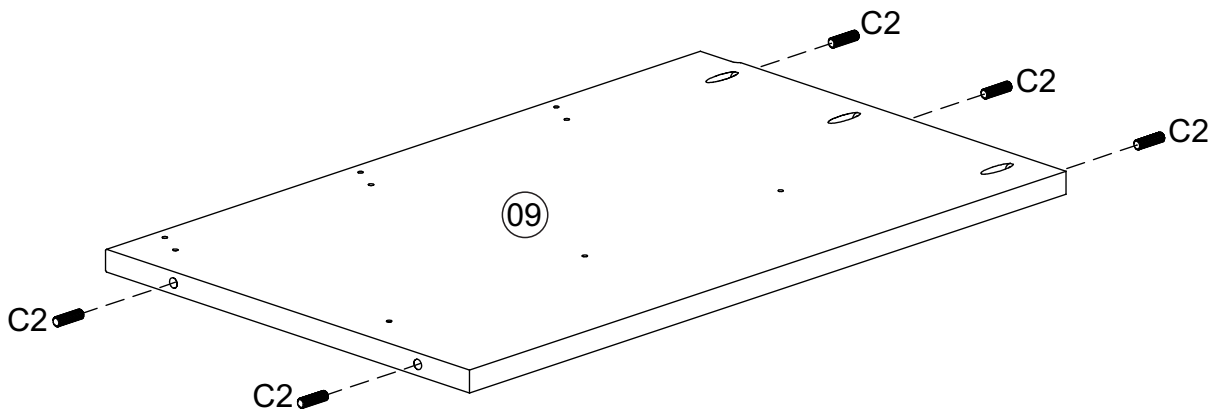
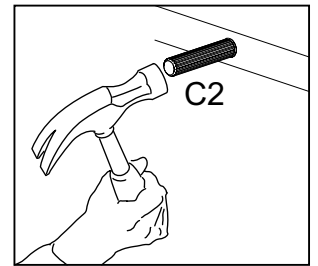
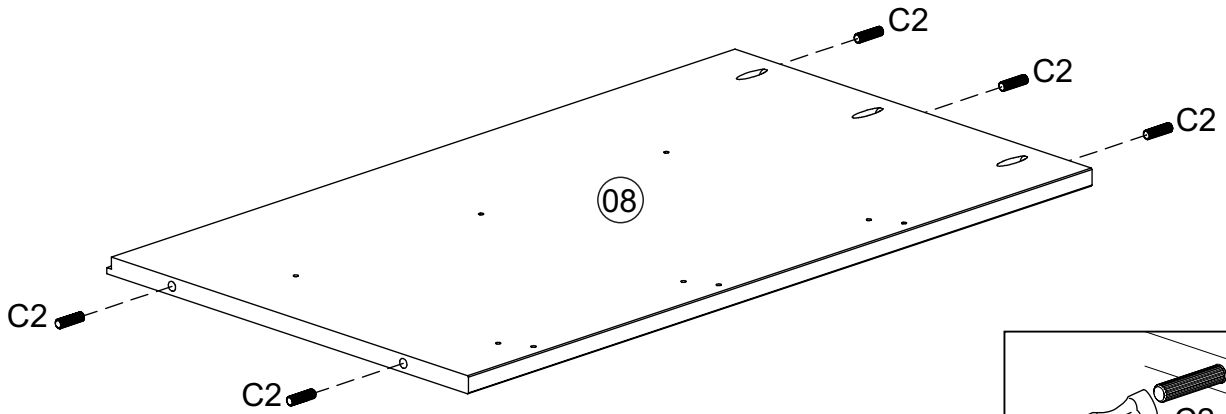
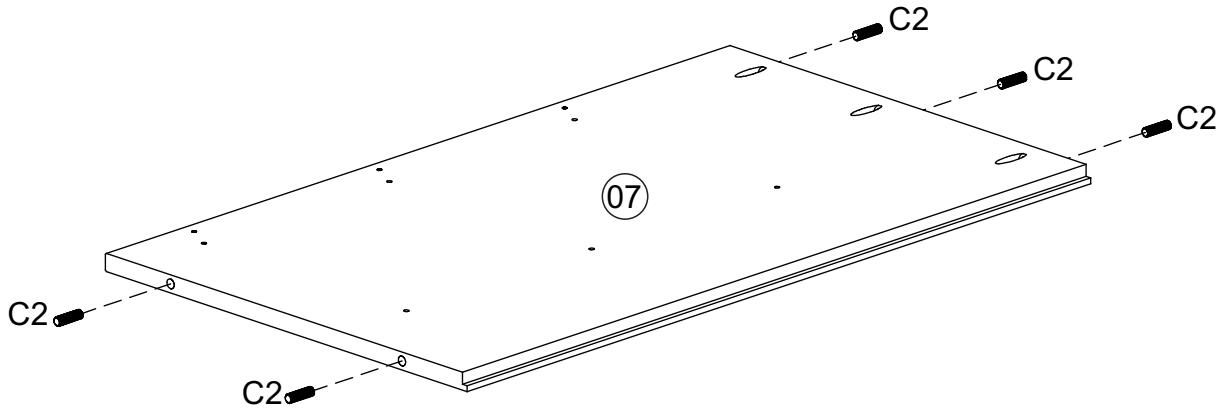
WARNING:
 **CHOKING HAZARD**
 Small Parts.
 Adult Supervision Required.
 Not for children under 3 years old.

WARNING:

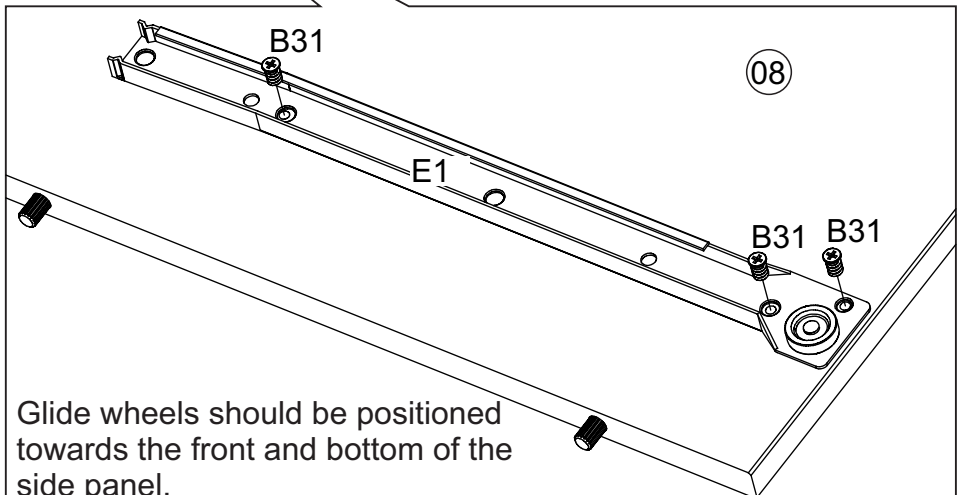
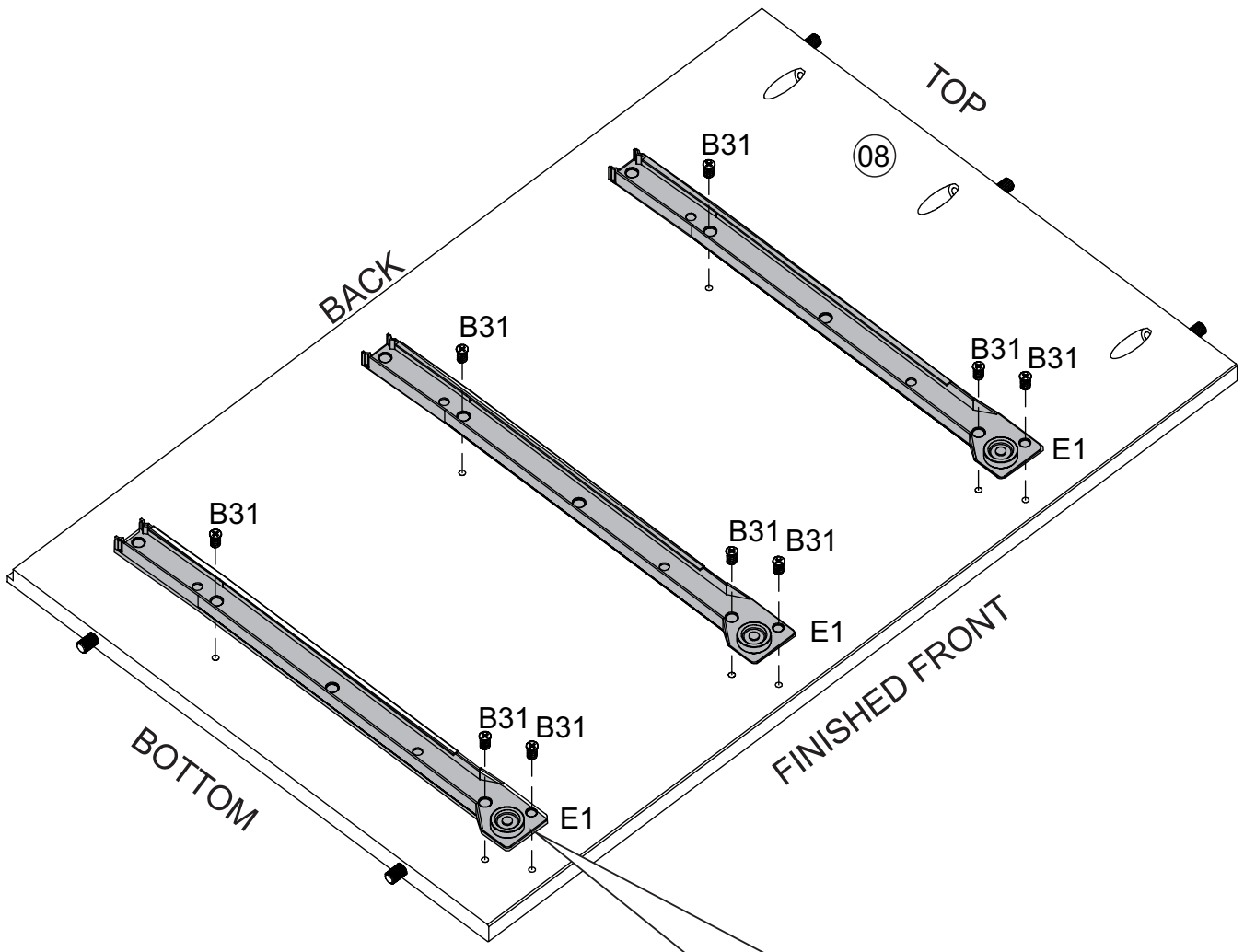
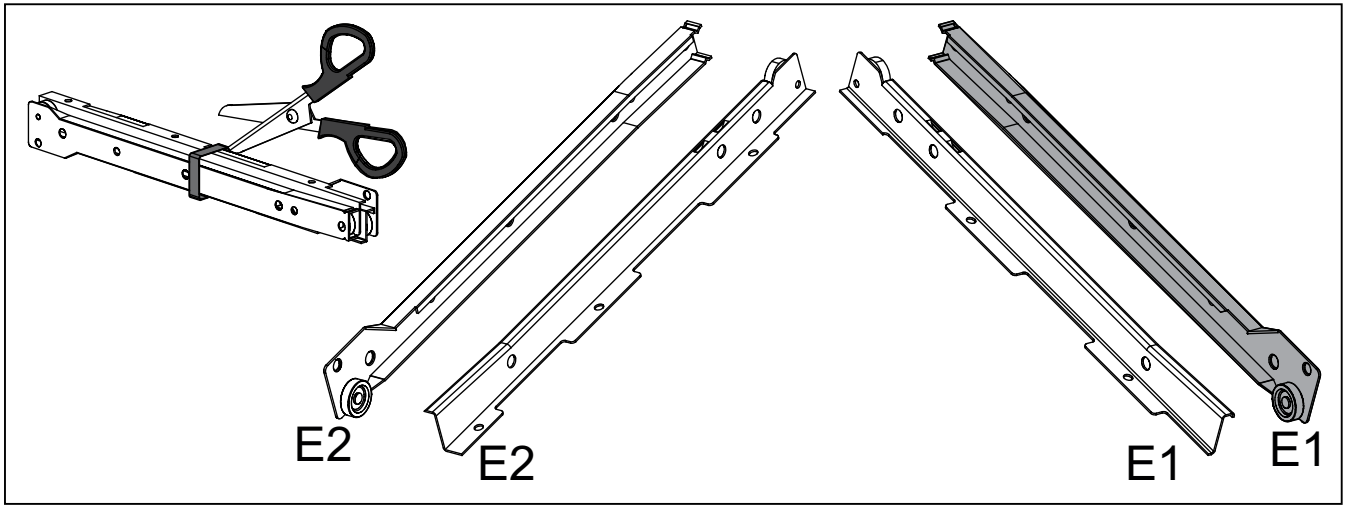
**FURNITURE TIPOVER CAN RESULT
 IN SERIOUS INJURY OR DEATH**


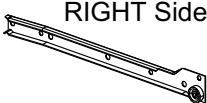
This dresser includes tipover-
 prevention hardware that
MUST BE ATTACHED TO THE WALL
 per the assembly instructions.

01)



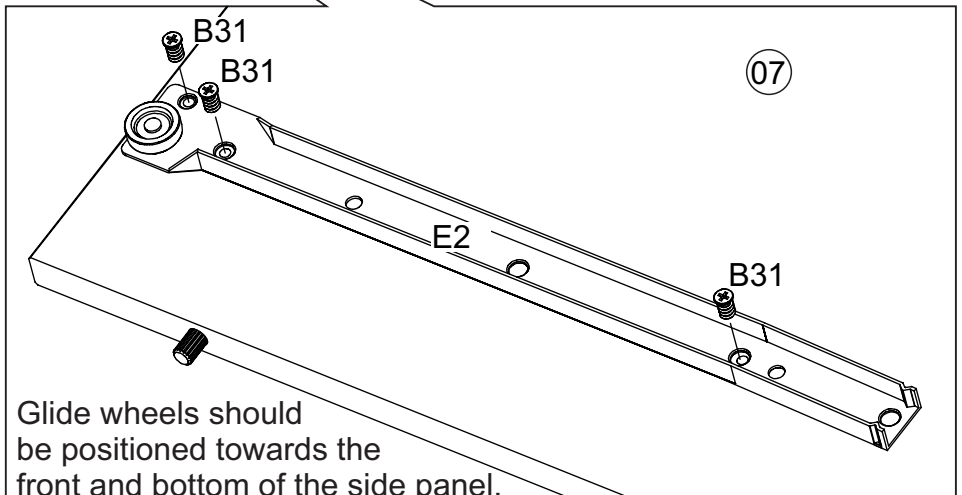
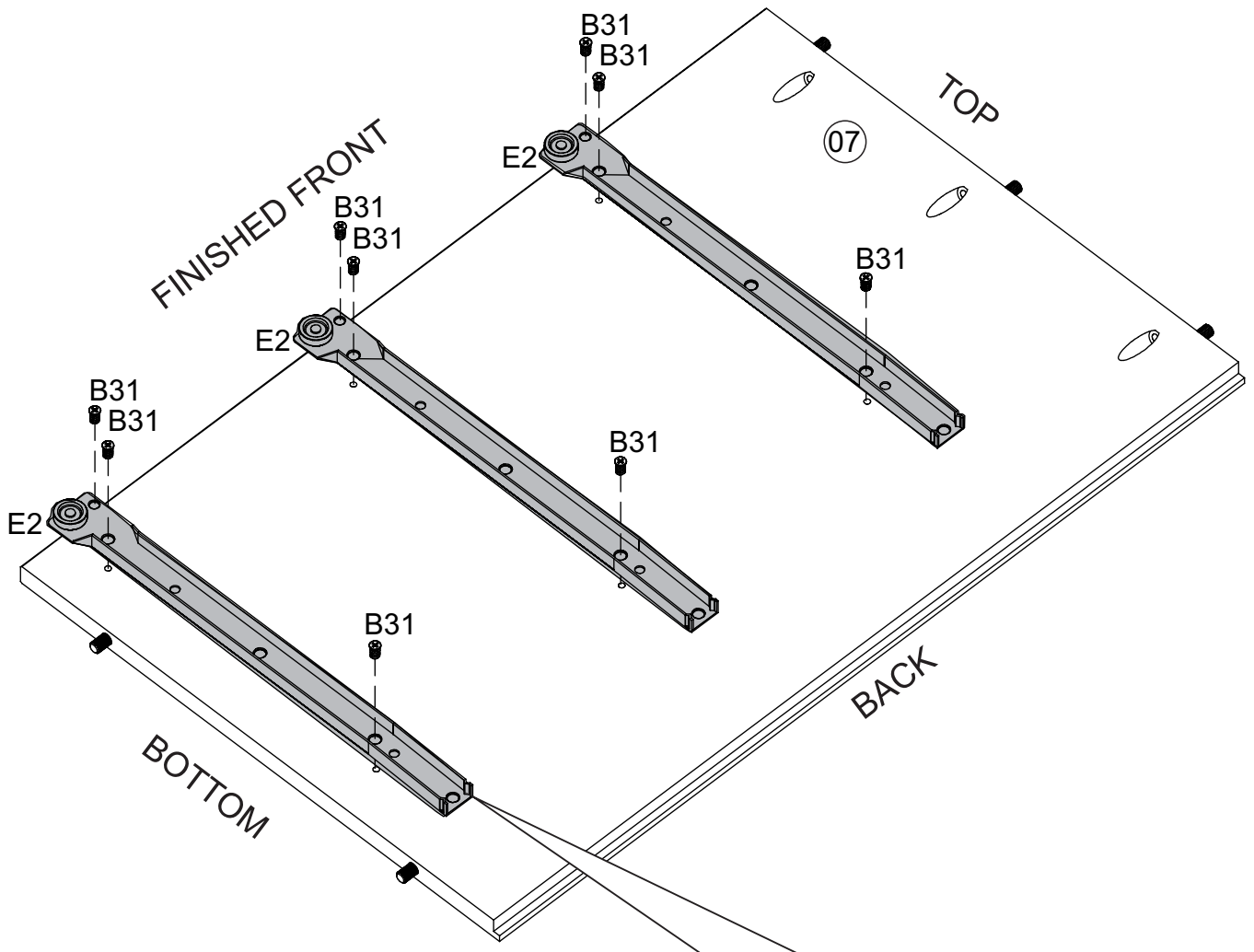
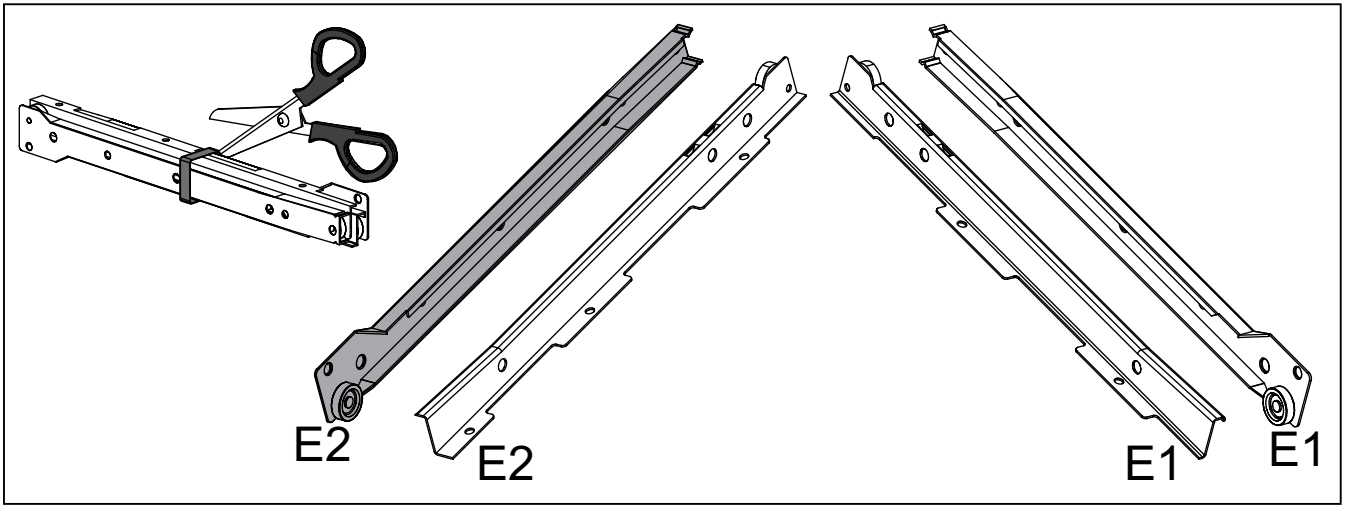
02)


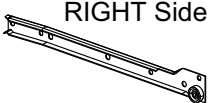


B31	 6,0x10	09
E1	 RIGHT Side	03

Glide wheels should be positioned towards the front and bottom of the side panel.

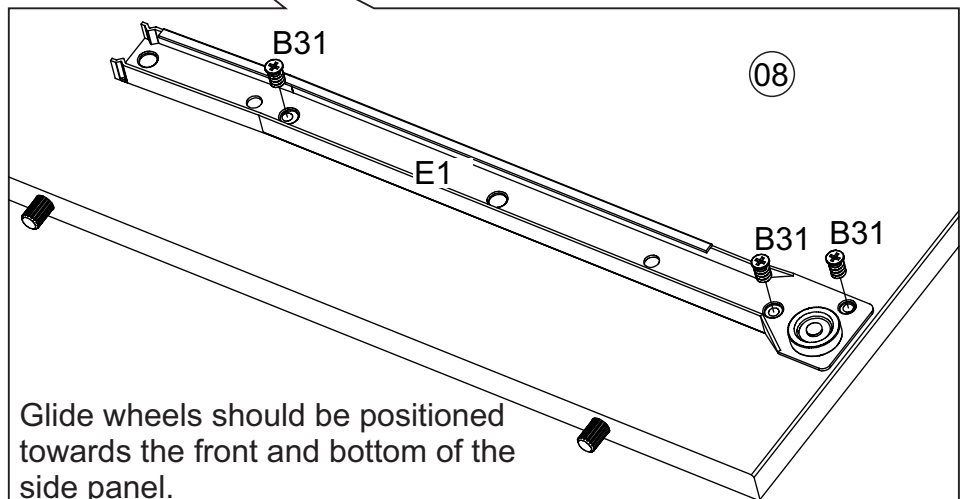
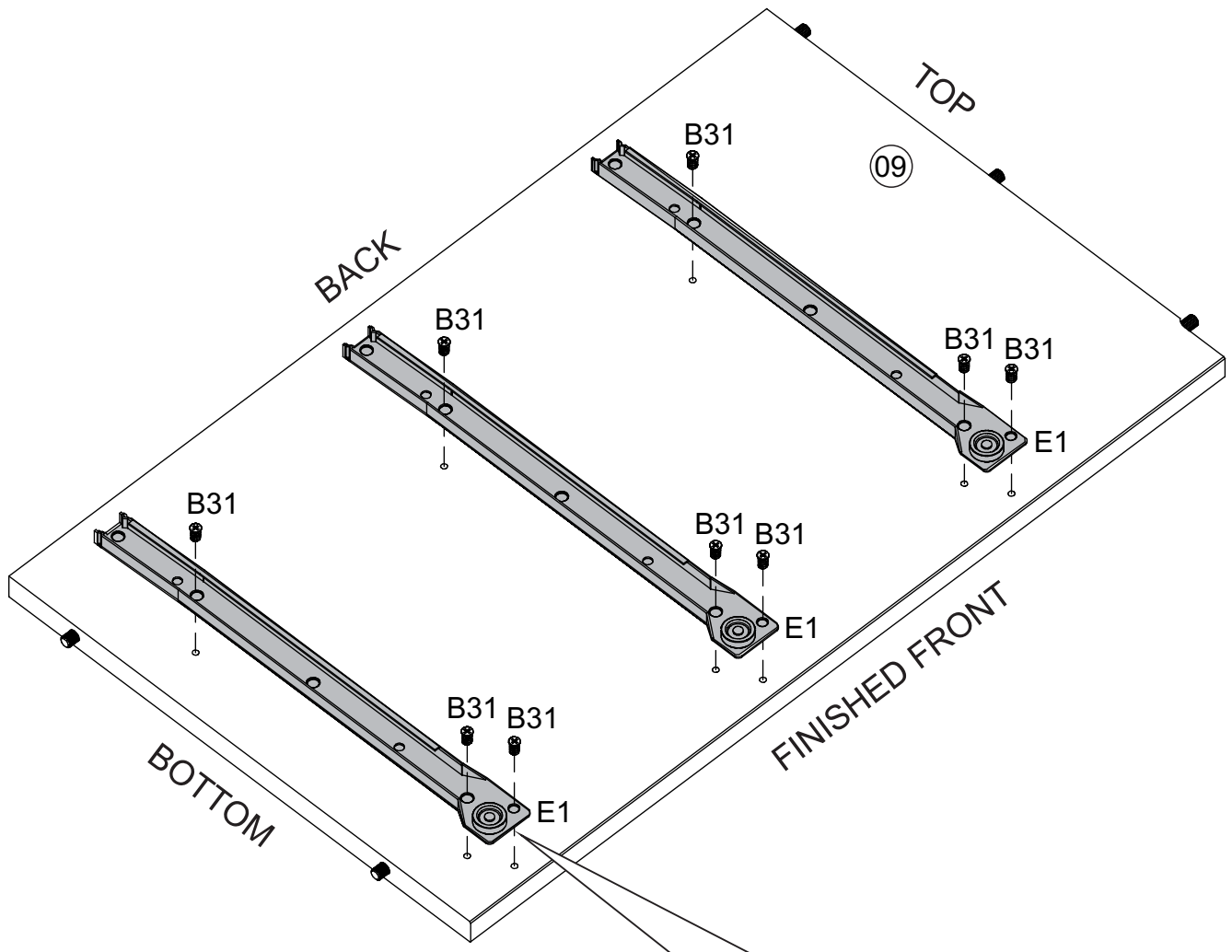
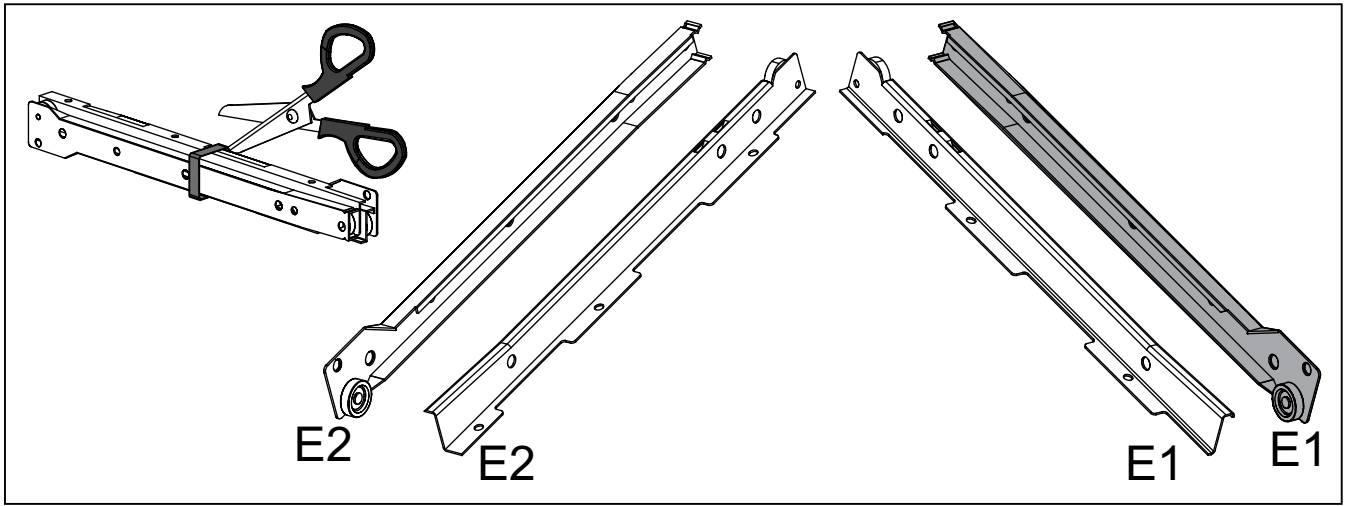
03)


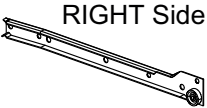


B31	 6,0x10	09
E2	 RIGHT Side	03

Glide wheels should be positioned towards the front and bottom of the side panel.

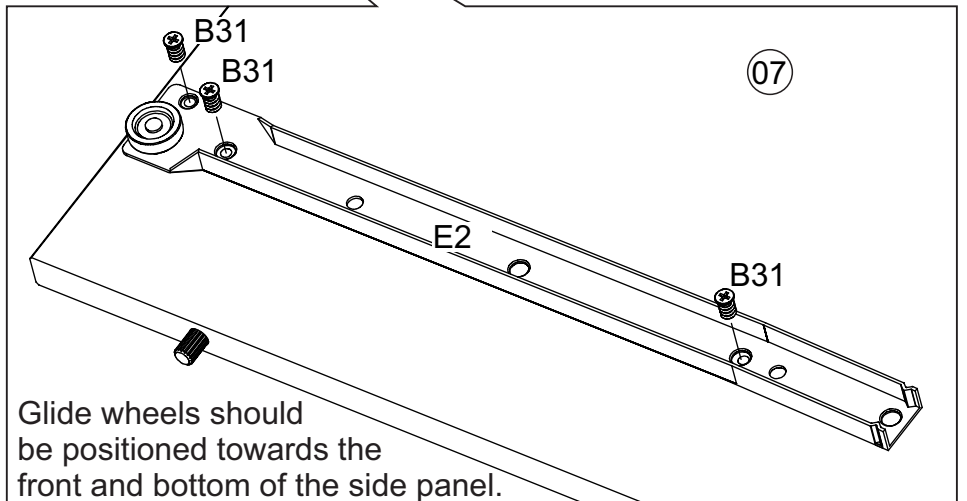
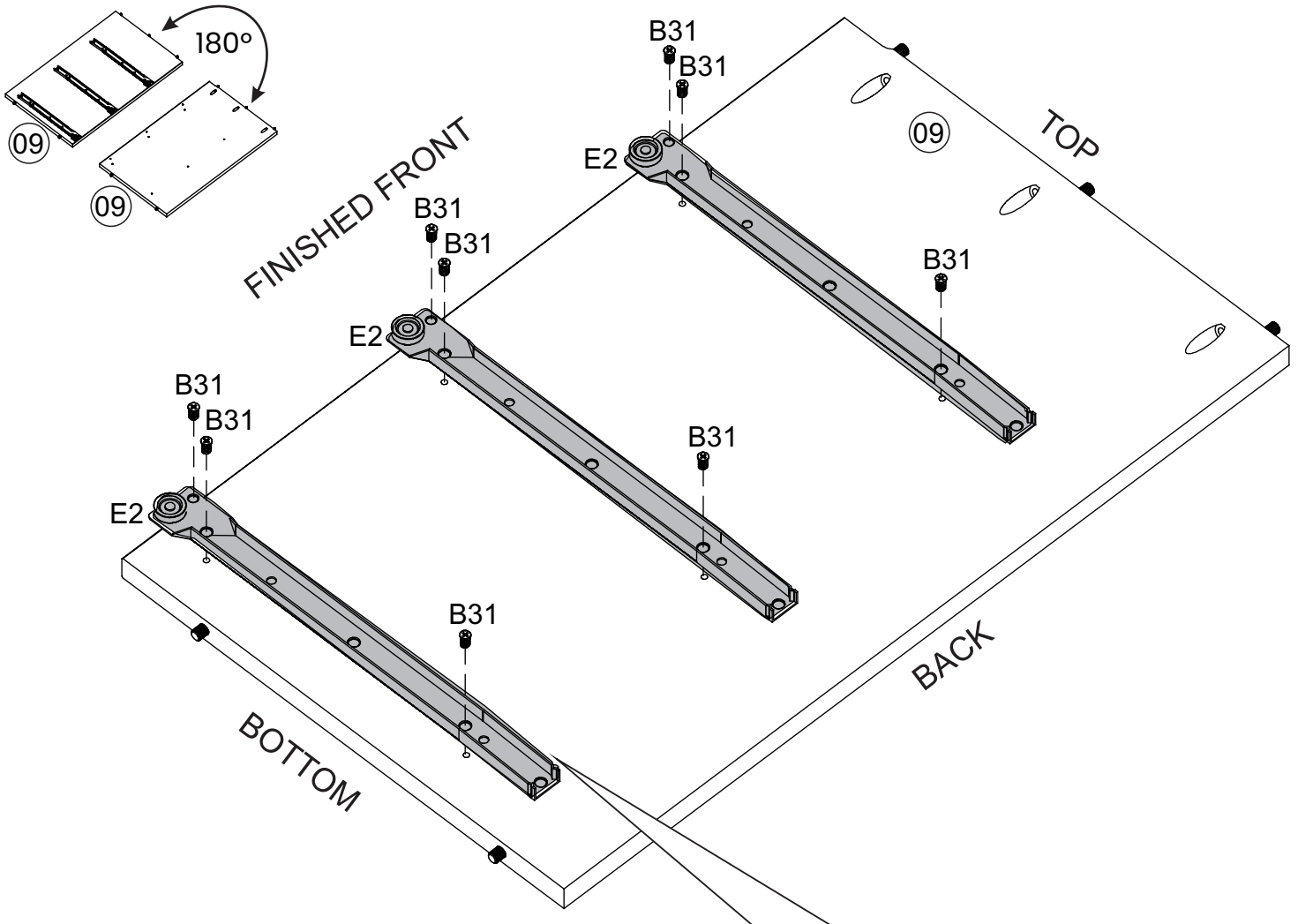
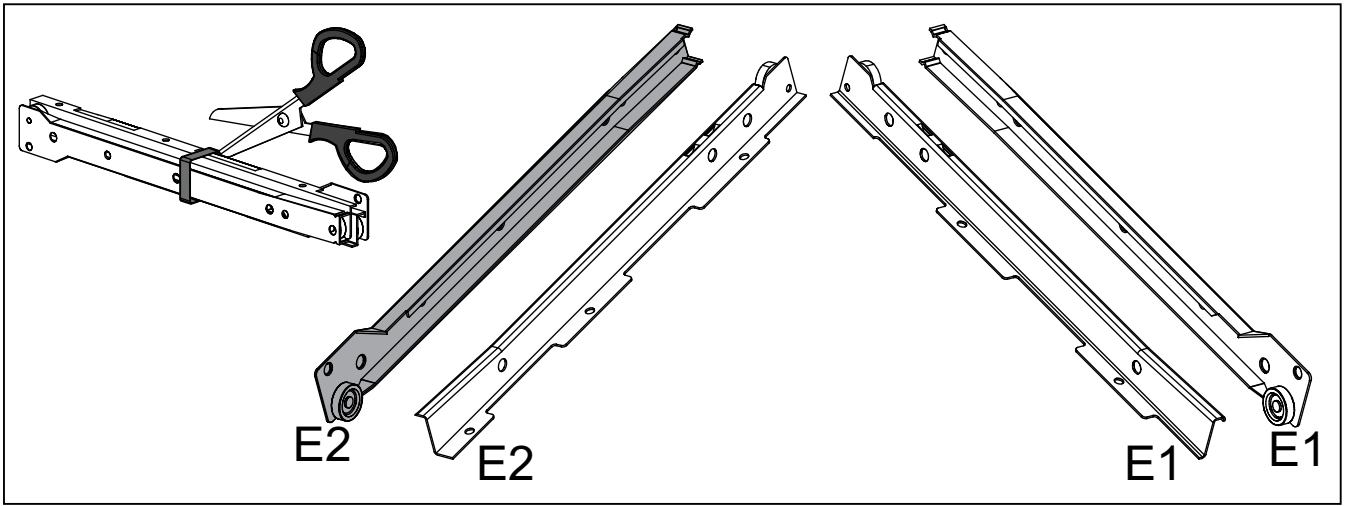
04)


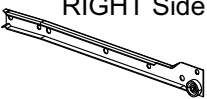


B31	 6,0x10	09
E1	 RIGHT Side	03

Glide wheels should be positioned towards the front and bottom of the side panel.

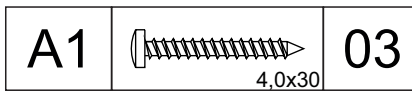
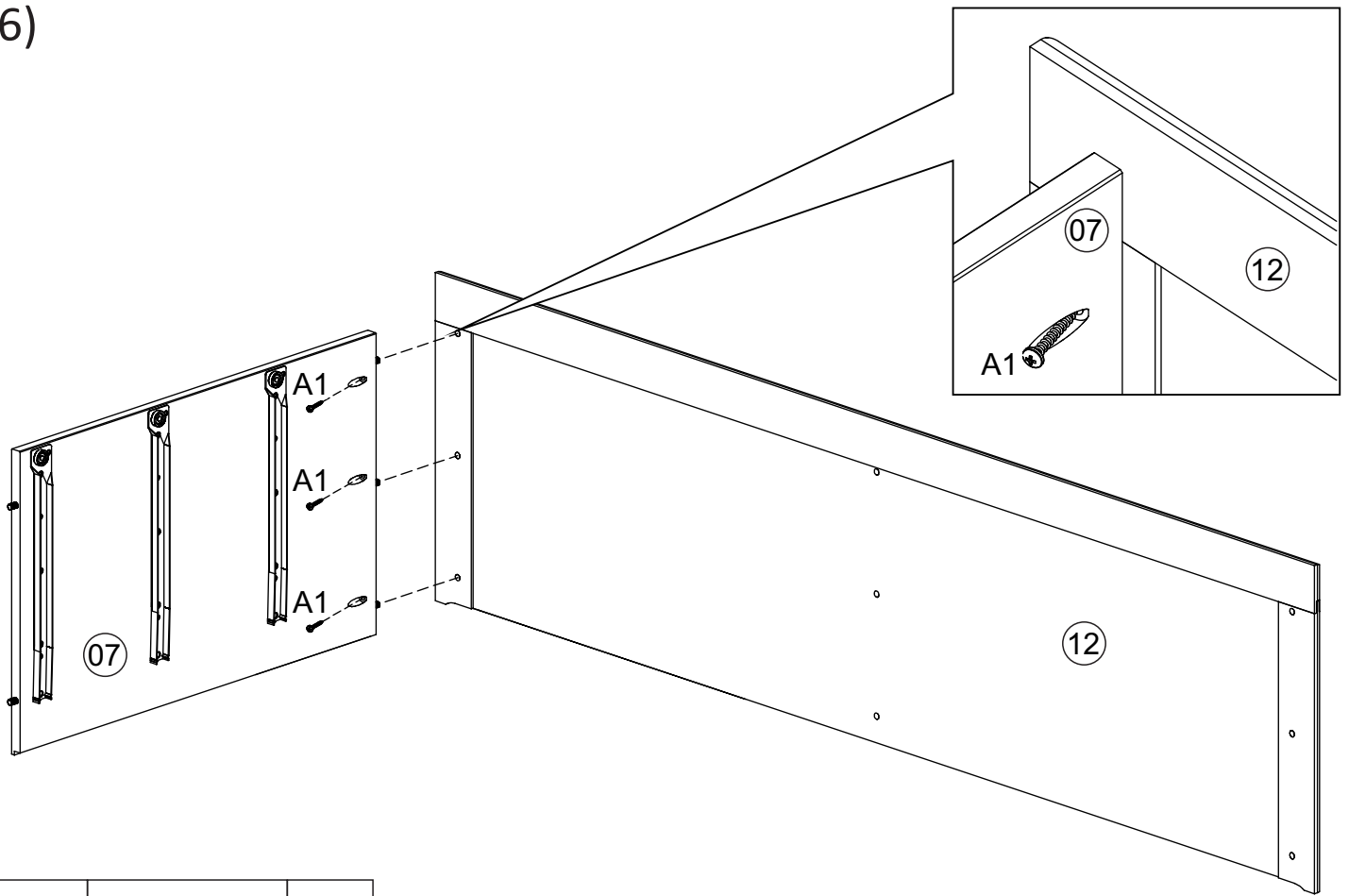
05)



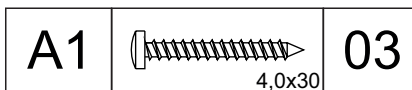
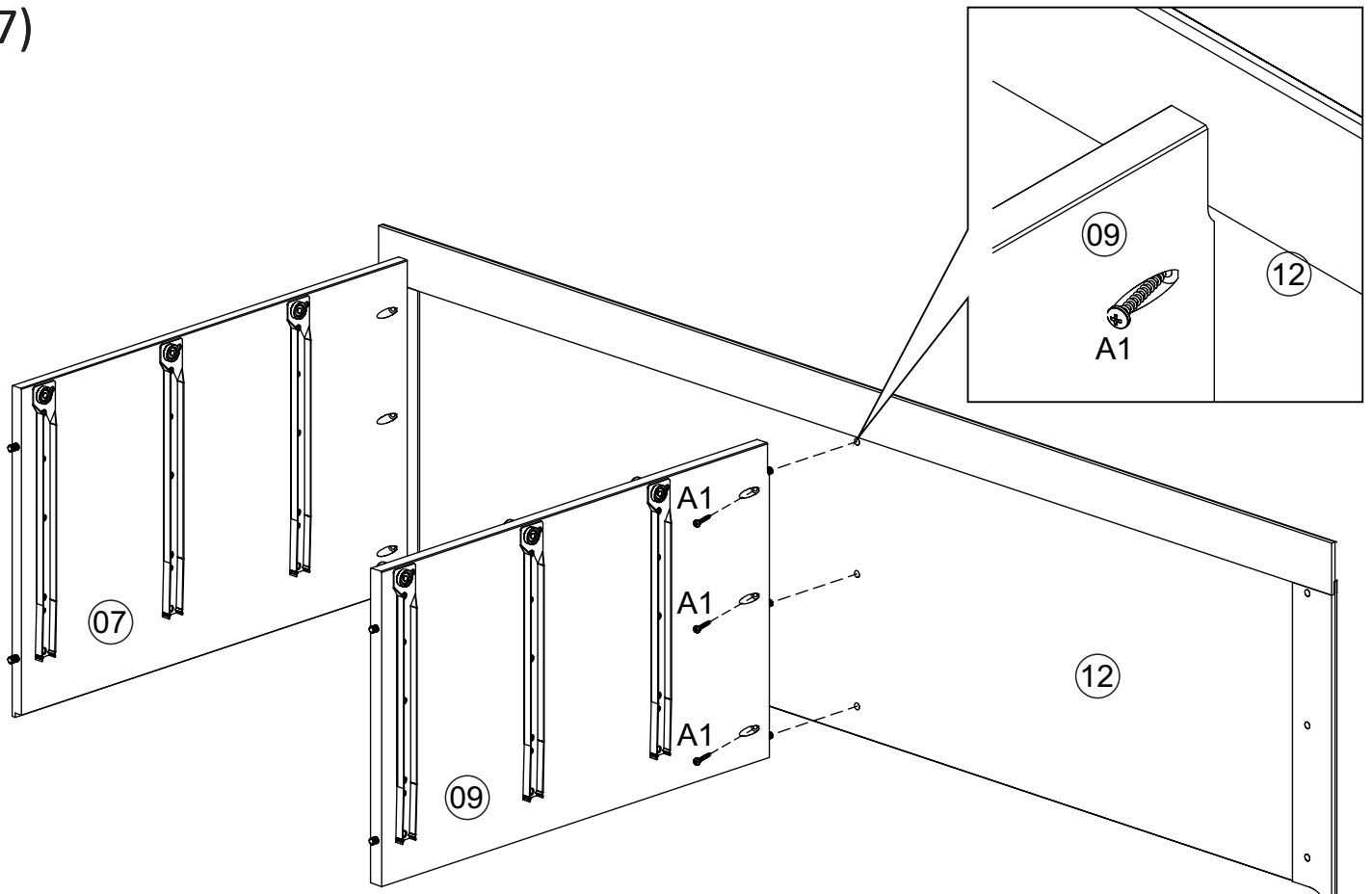
B31	 6,0x10	09
E2	RIGHT Side 	03

Glide wheels should be positioned towards the front and bottom of the side panel.

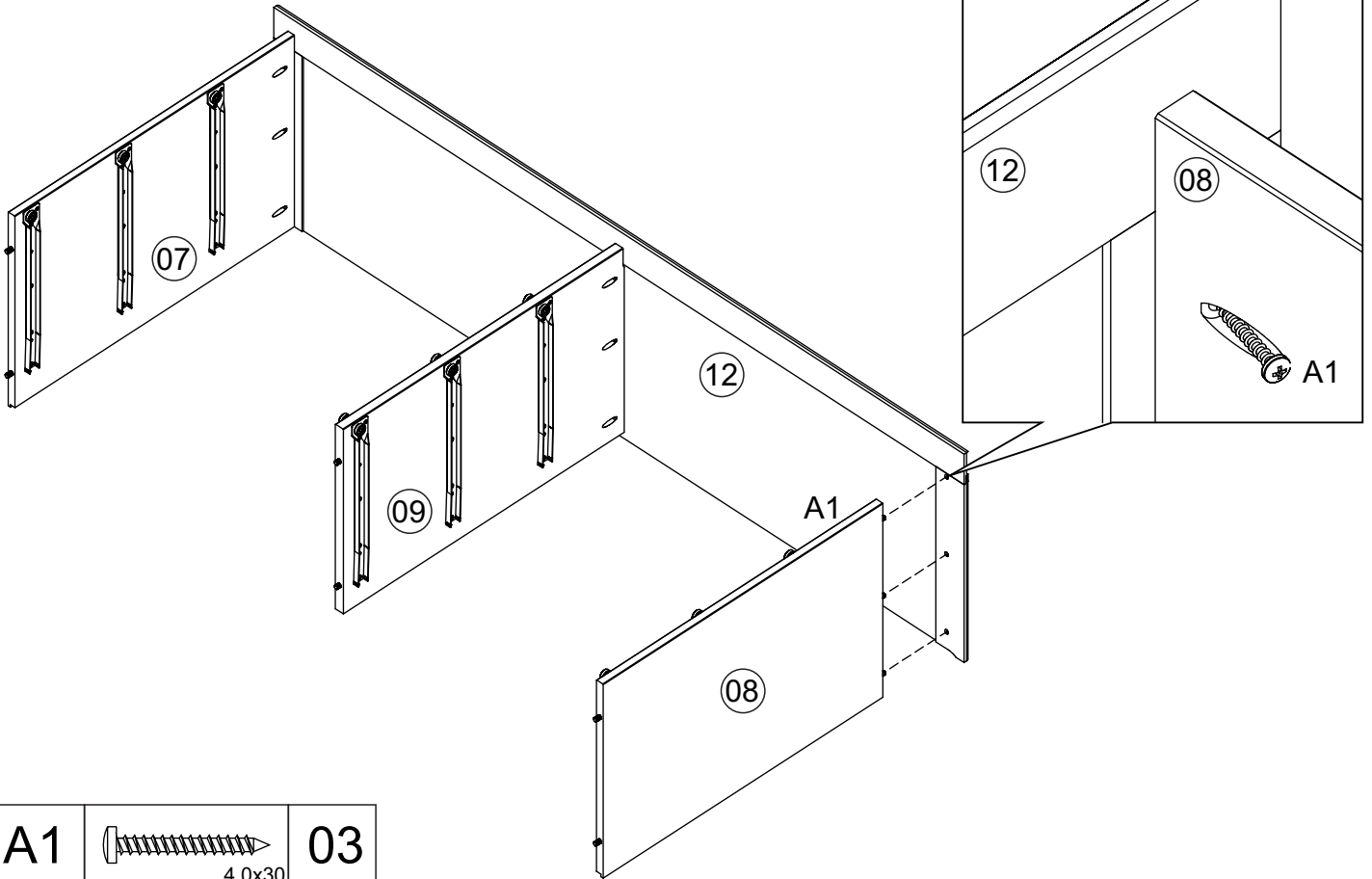
06)



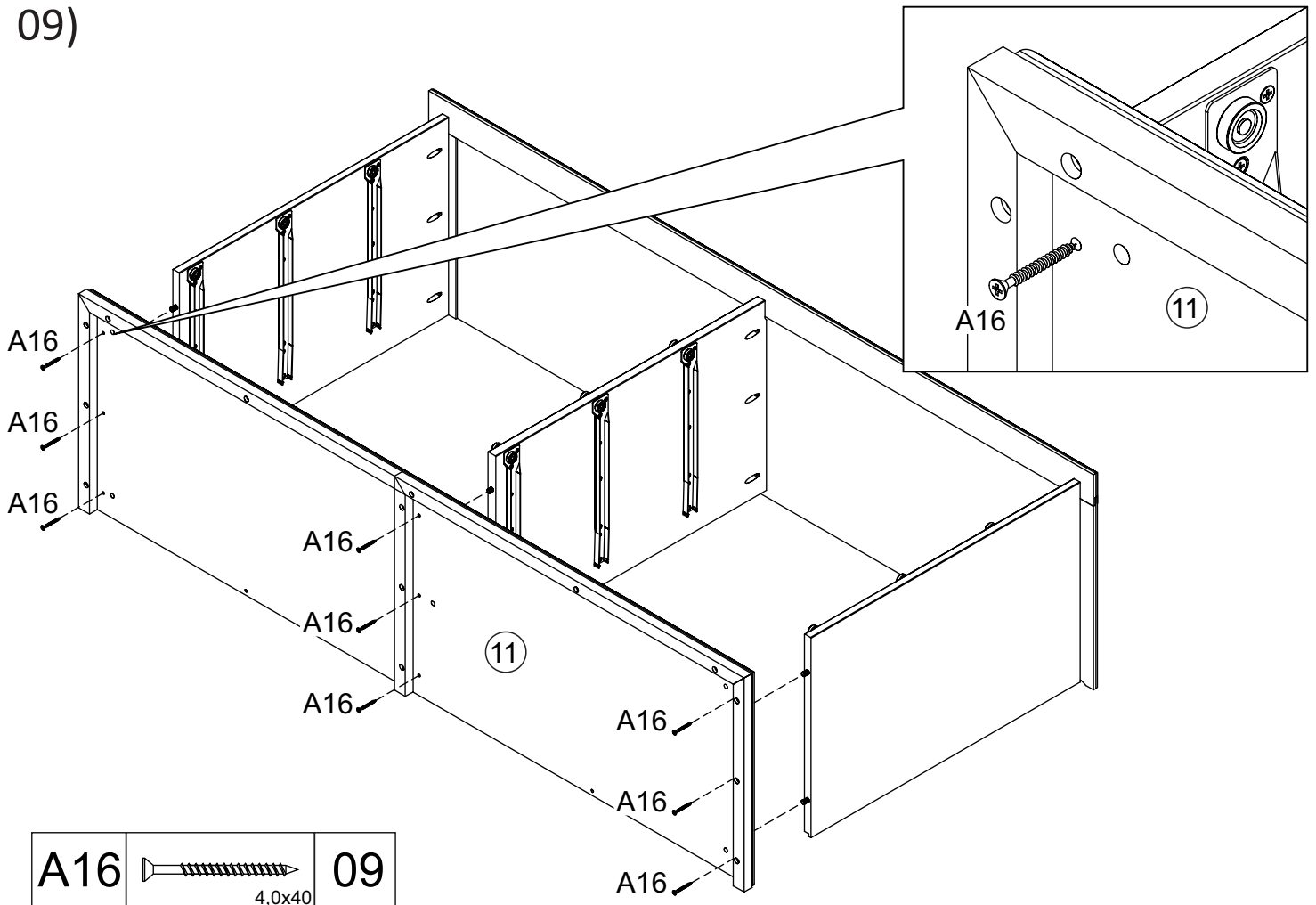
07)



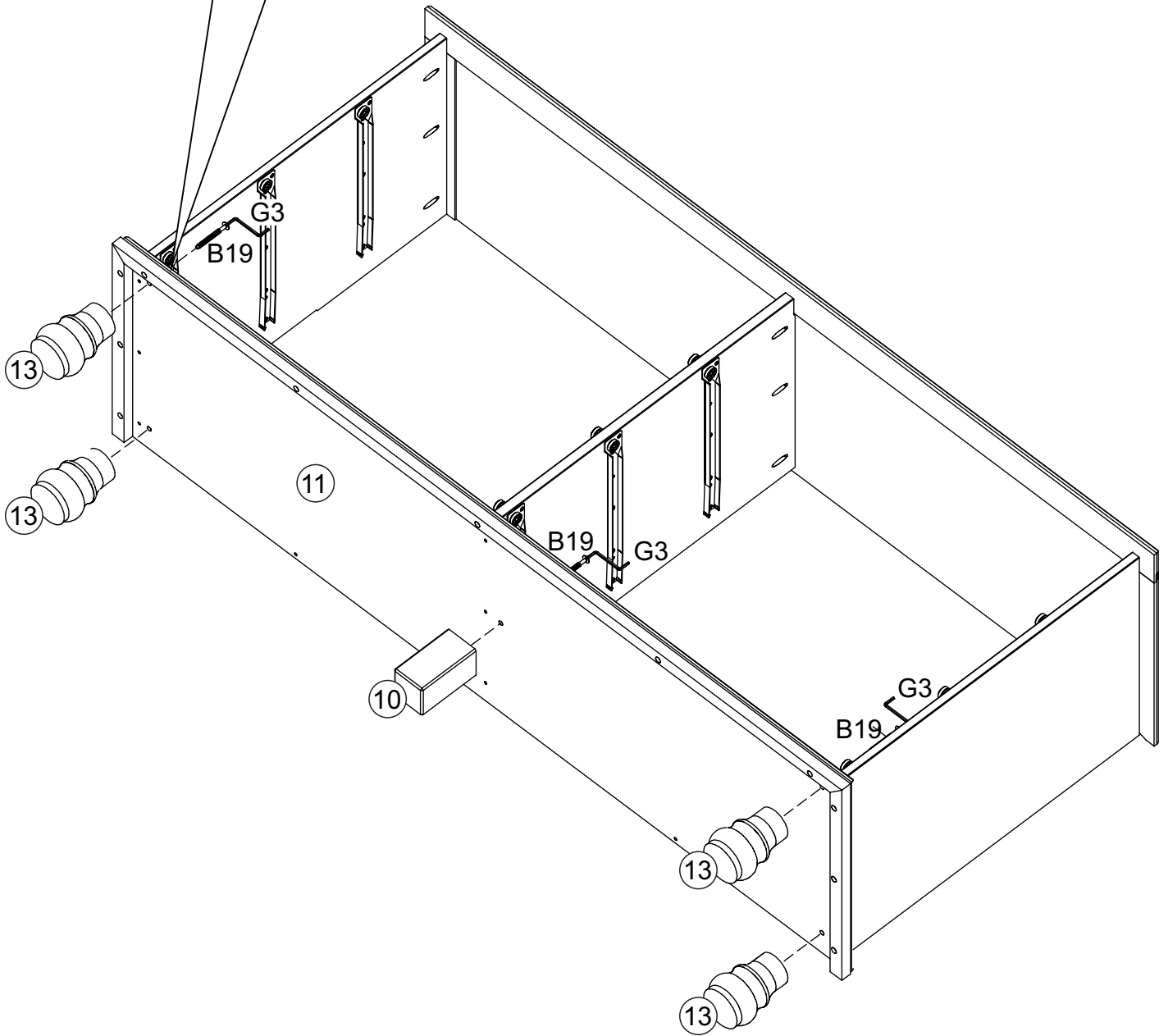
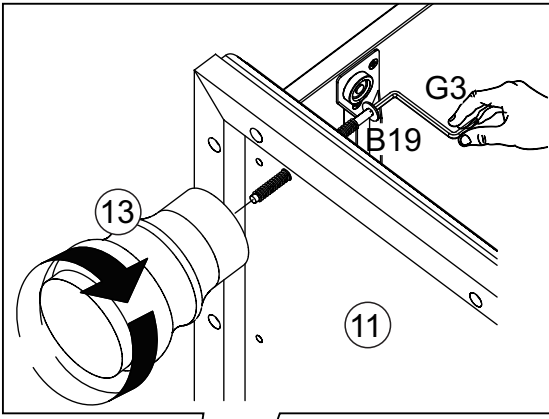
08)

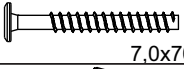



09)



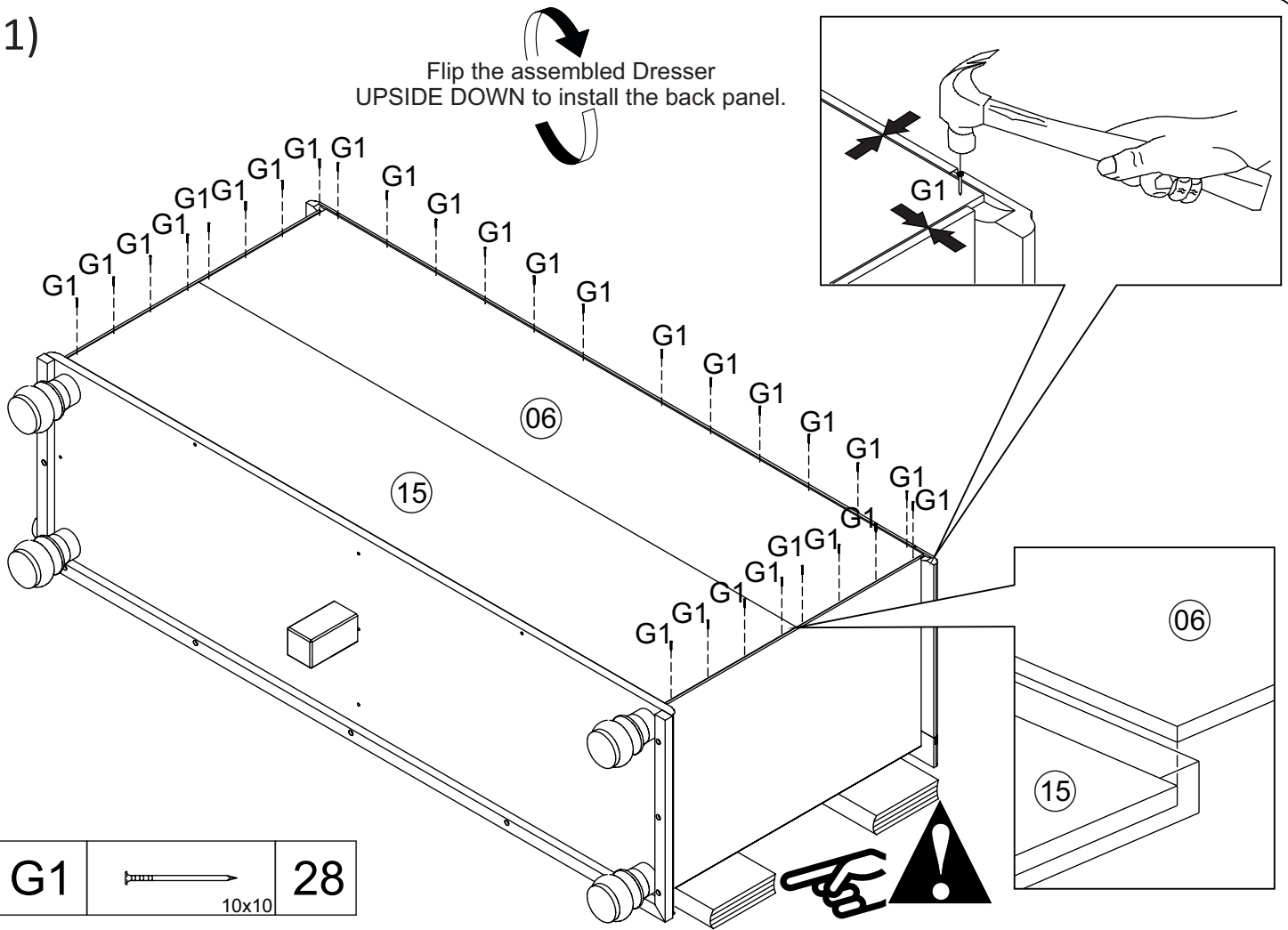
10)

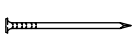


B19	 7,0x70	05
G3		01

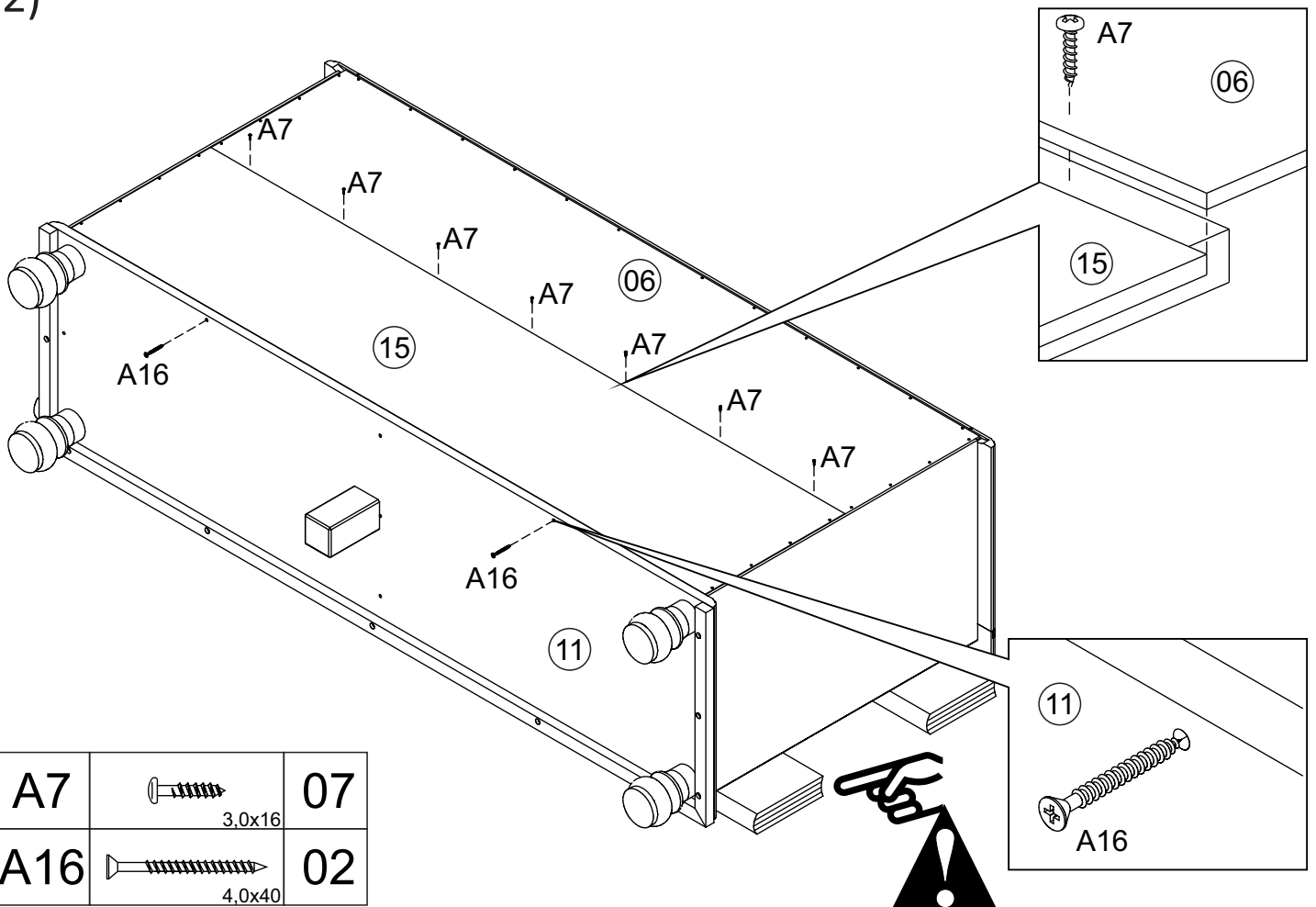
11)

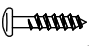
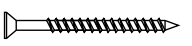
Flip the assembled Dresser
UPSIDE DOWN to install the back panel.



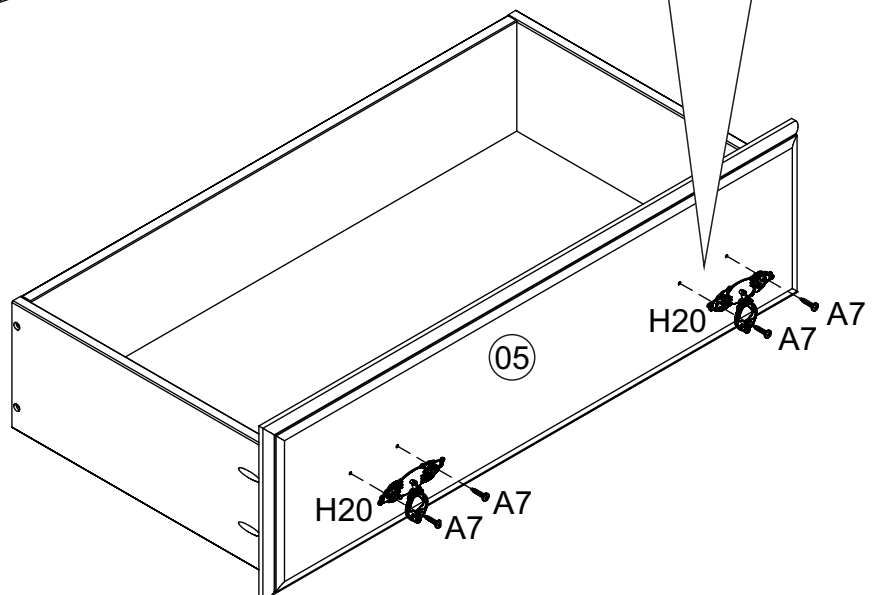
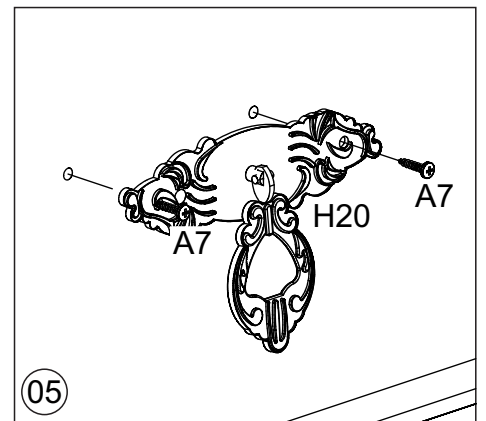
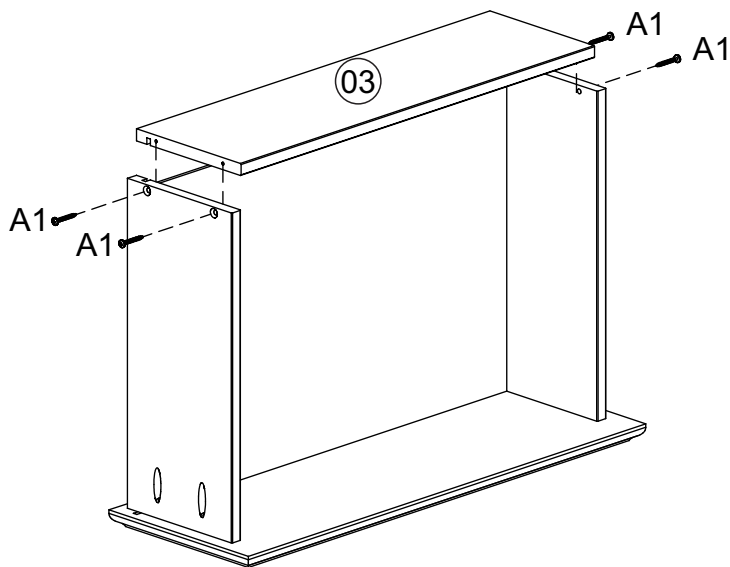
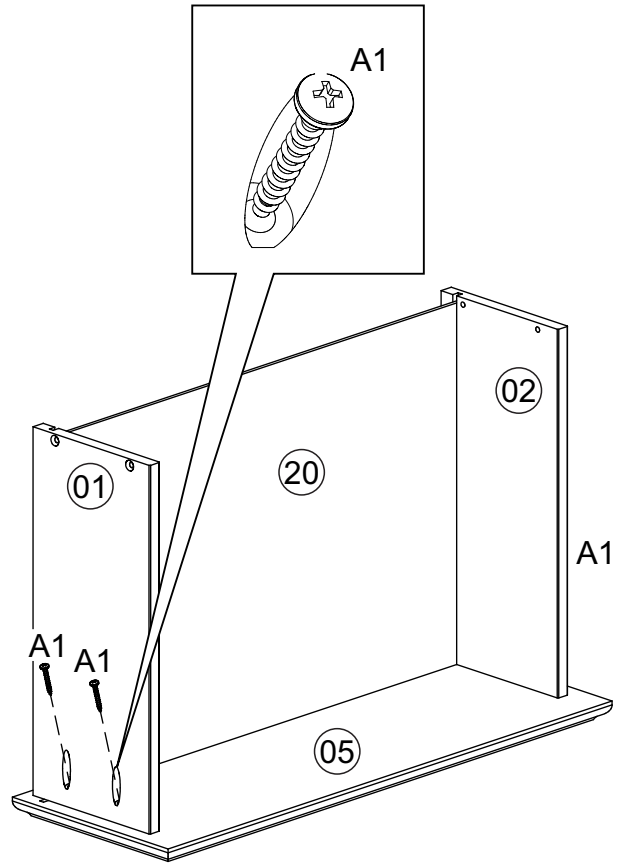
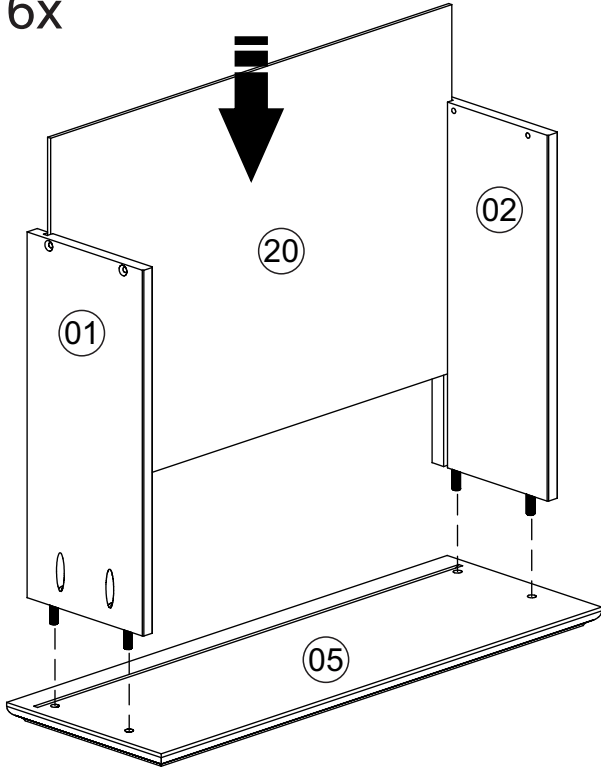
G1		28
	10x10	




12)



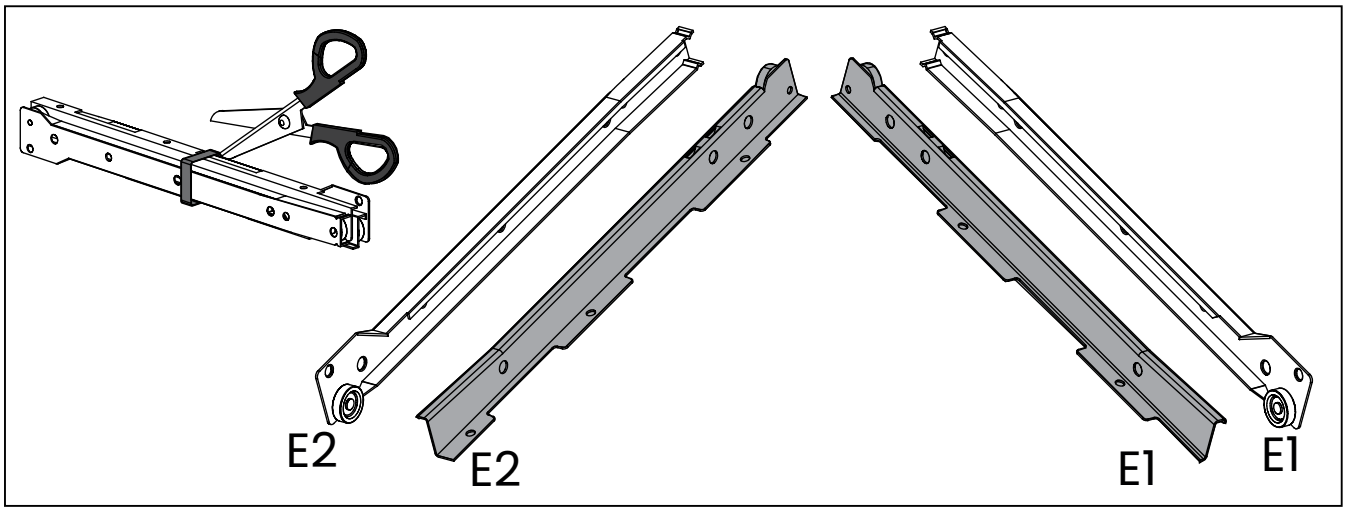
A7		07
	3,0x16	
A16		02
	4,0x40	

13) 6x



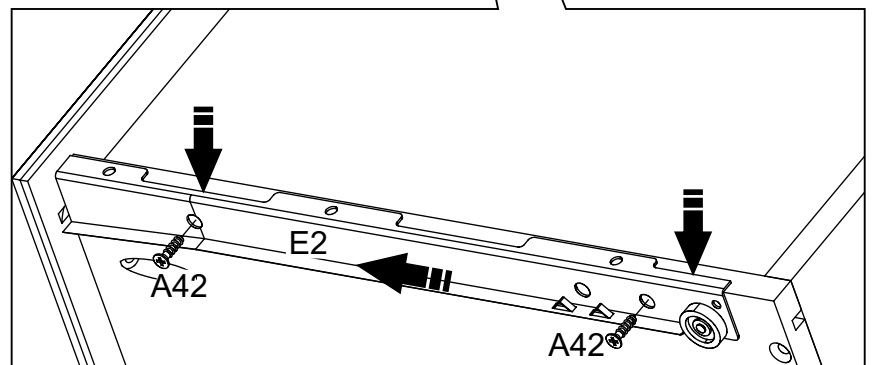
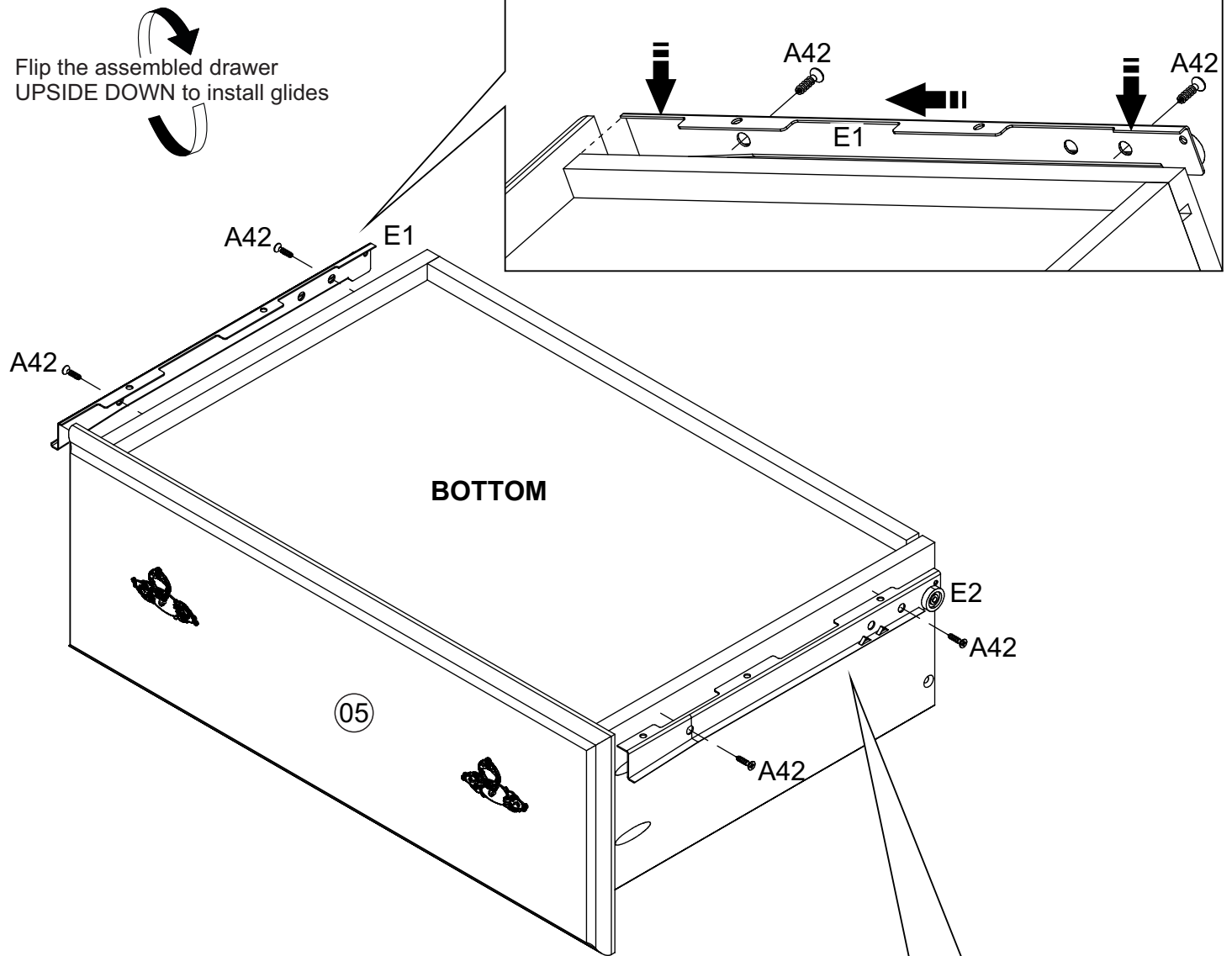
A1	 4.0x30	48
A7	 3.0x16	24
H20		12


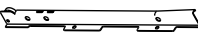

14)



6x

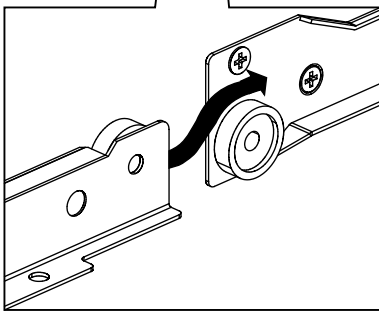
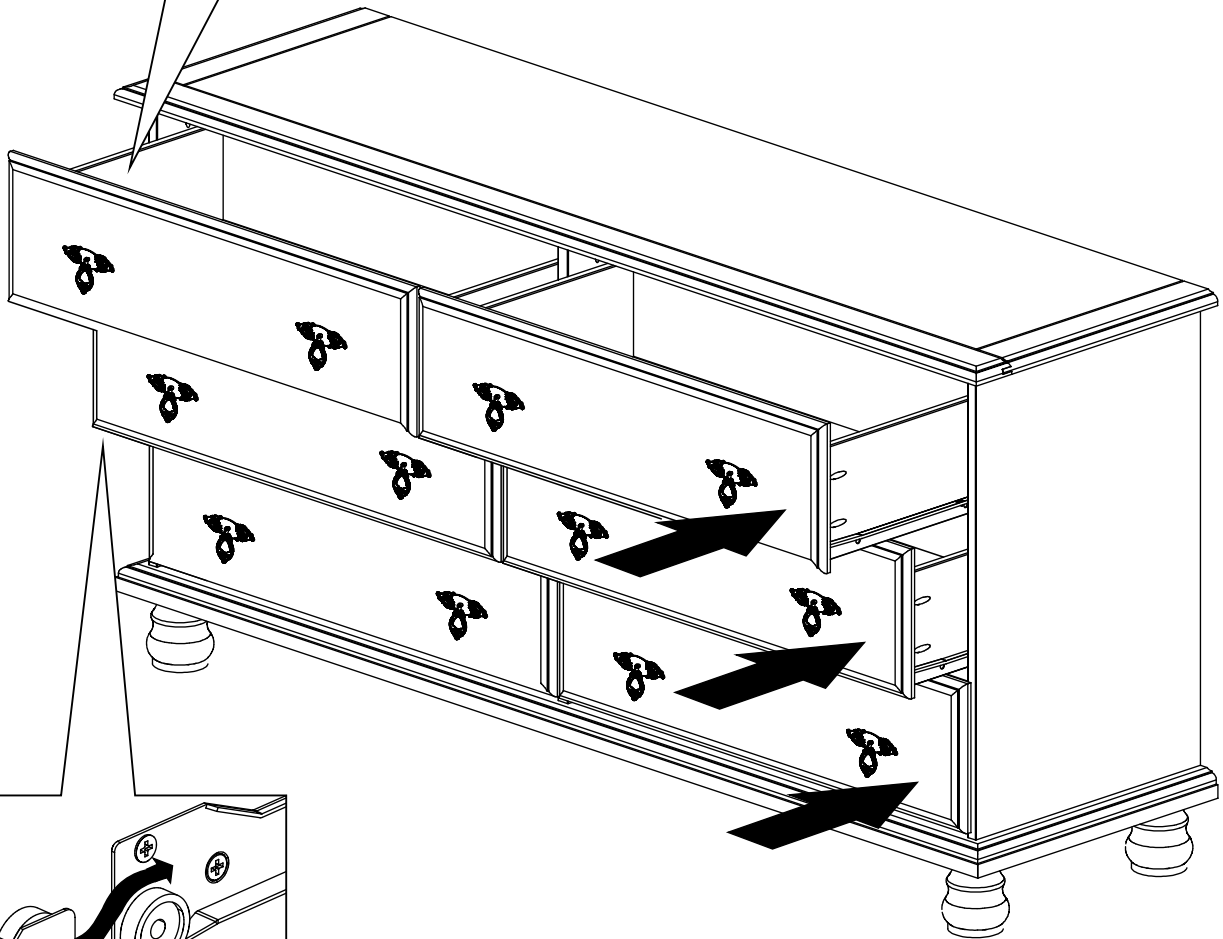
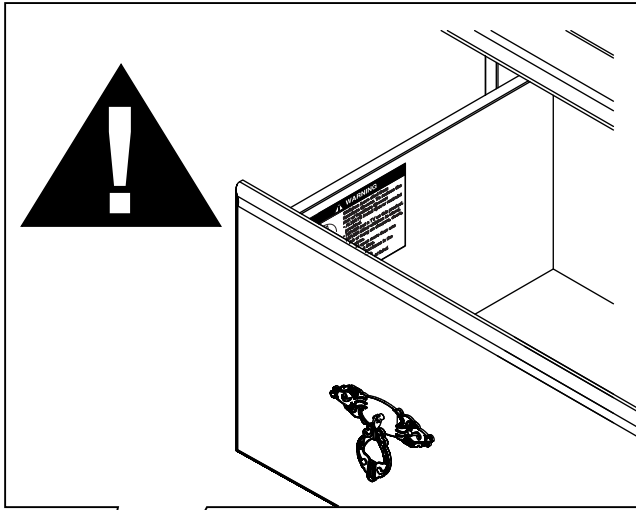
Flip the assembled drawer
UPSIDE DOWN to install glides



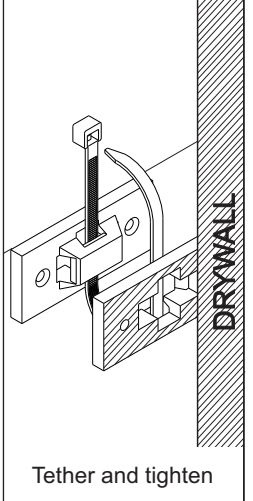
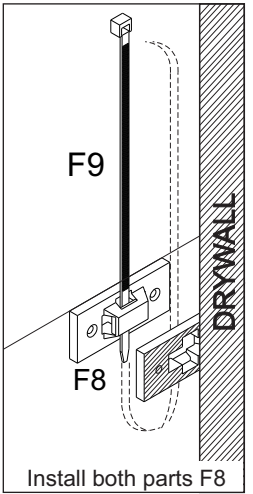
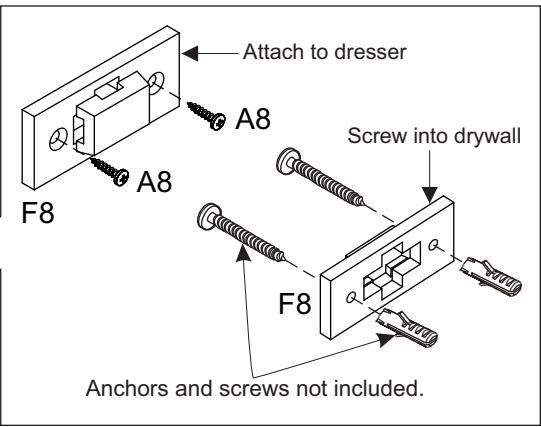
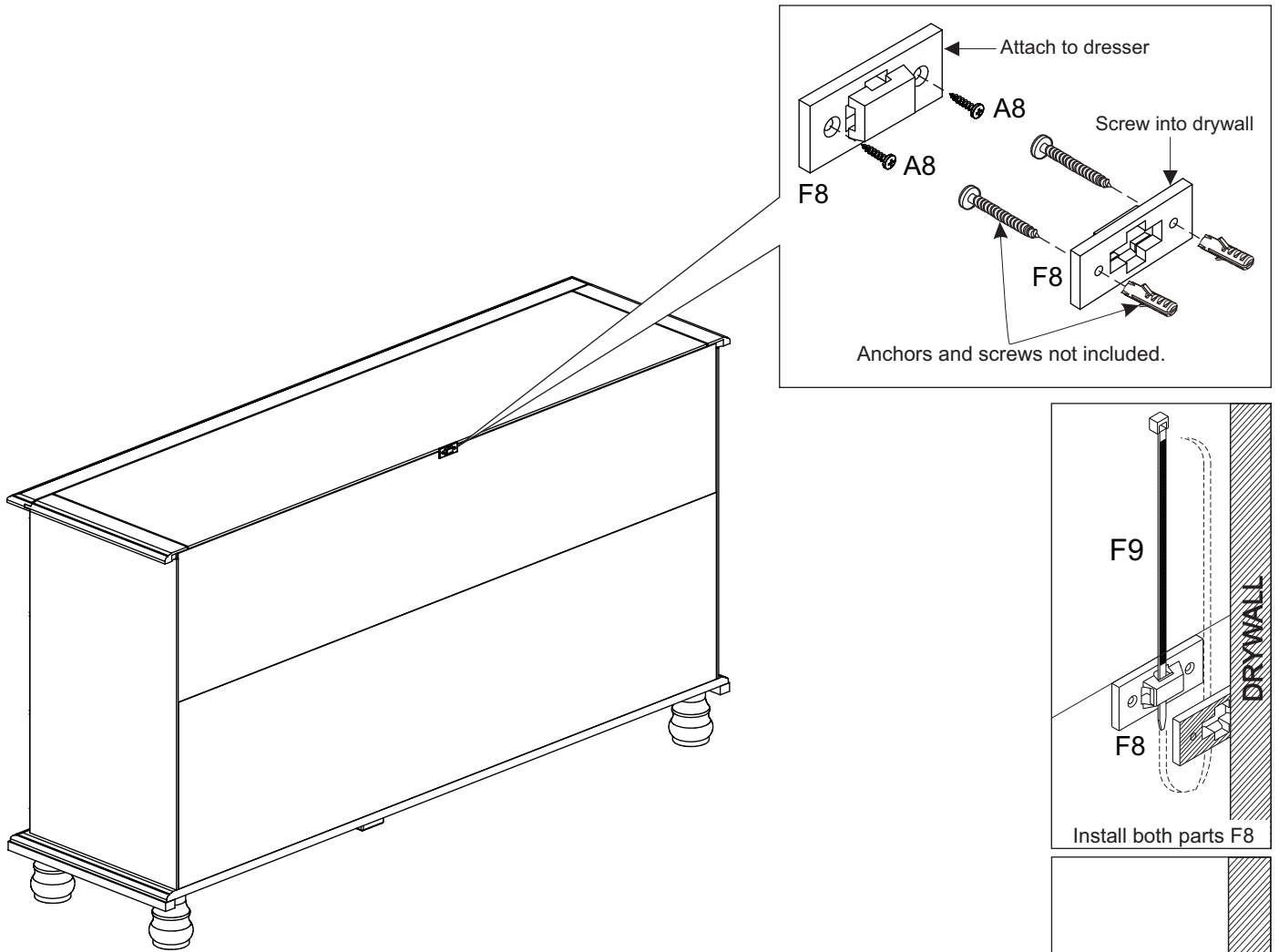
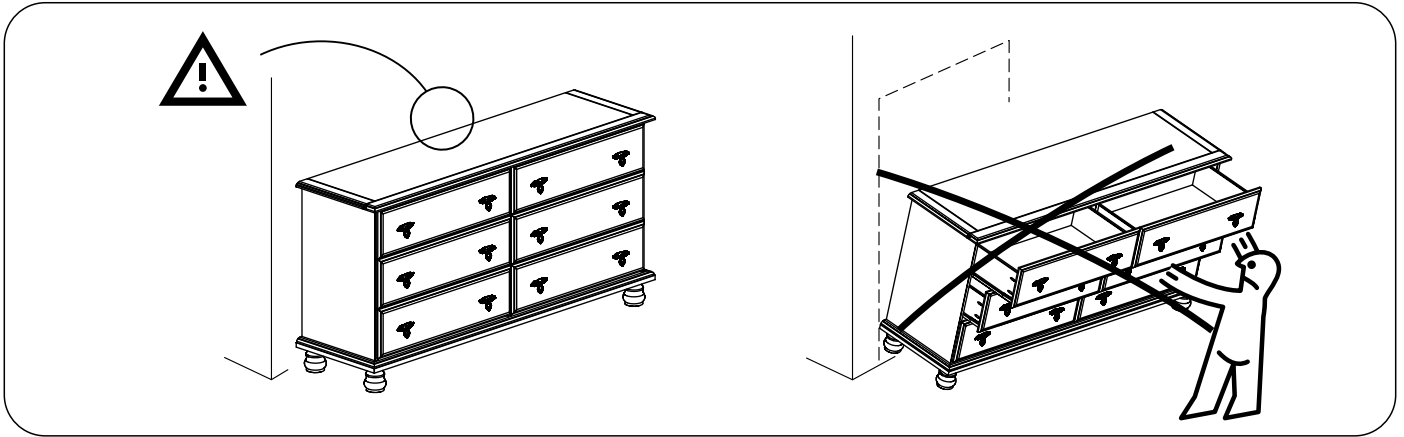
A42	 4.0x14	24
E1	 330mm - 13"	06
E2	 330mm - 13"	06


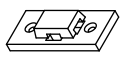

15)

Drawer with the WARNING label must be placed in the top position



16) FURNITURE TIPOVER PREVENTION KIT INSTALLATION



A8	 3.0x20	02
F8		02
F9		01