

Thank you for choosing a **PALACE IMPORTS** product.
Your total satisfaction is our #1 priority.

Customer Service and Warranty Information

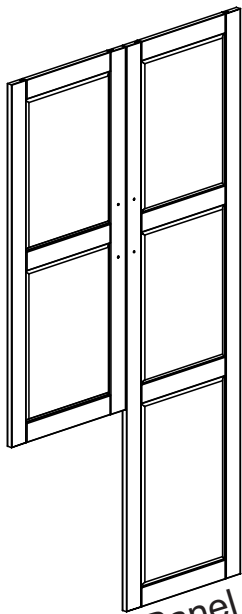
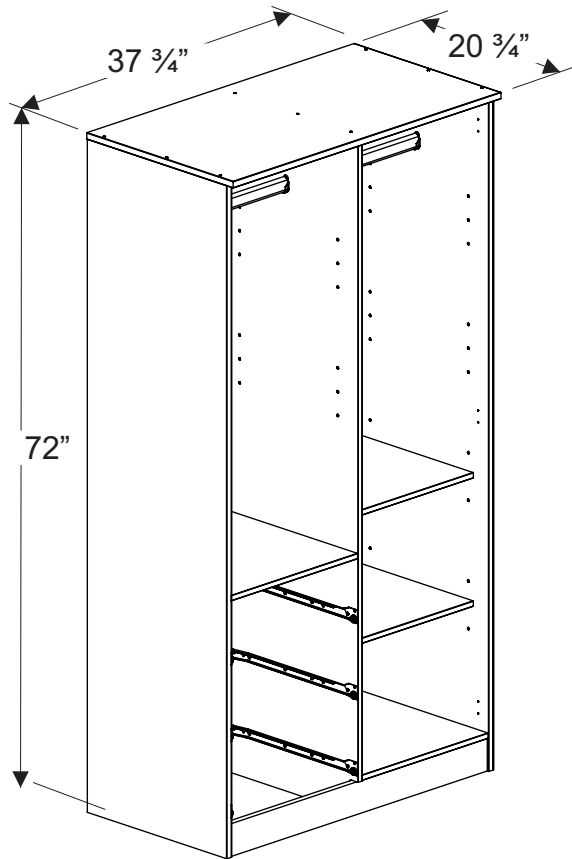
- Should you have a problem or need more information concerning the warranty, **do not contact the place of purchase. Please email our customer service department for immediate assistance at info@palaceimportsinc.com or go to www.palaceimportsinc.com**
- PALACE IMPORTS products are warranted to the original purchaser against defects in material or workmanship in the furniture. Defects as mentioned in this warranty refer to any imperfections which may impair the use of the product. Our warranty is expressly limited to the replacement of furniture parts and components for one year following the date of purchase.
- PALACE IMPORTS will replace any part that is defective. This warranty applies under conditions of normal use. Our furniture products are not intended for outdoor use. The warranty does not cover defects caused by improper assembly or disassembly, defects occurring after purchase due to product modifications, intentional damage, accident, misuse, exposure to the elements and labor or assembly costs.
- PALACE IMPORTS reserves the right to request proof of purchase to document a warranty claim. In no event shall PALACE IMPORTS be liable for incidental or consequent damages resulting from the misuse of the product.



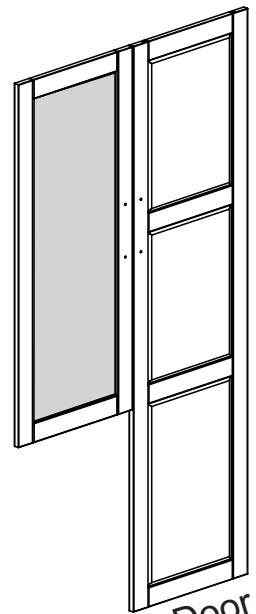
ASSEMBLY GUIDE

METRO 2-DOOR WARDROBE

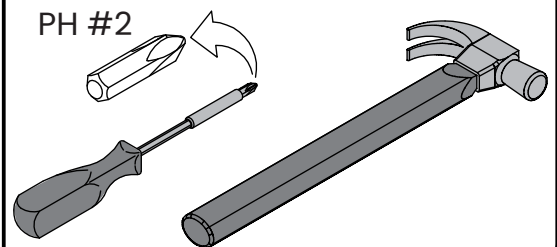
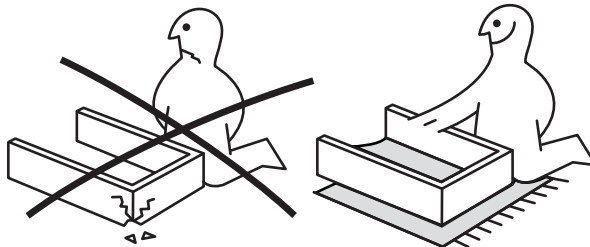
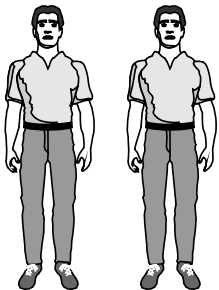
SKU 7101D / 7101M - White
SKU 7103D / 7103M - Mocha
SKU 7105D / 7105M - Gray
SKU 7106D / 7106M - Java
SKU 7107D / 7107M - Black



Raised Panel Doors



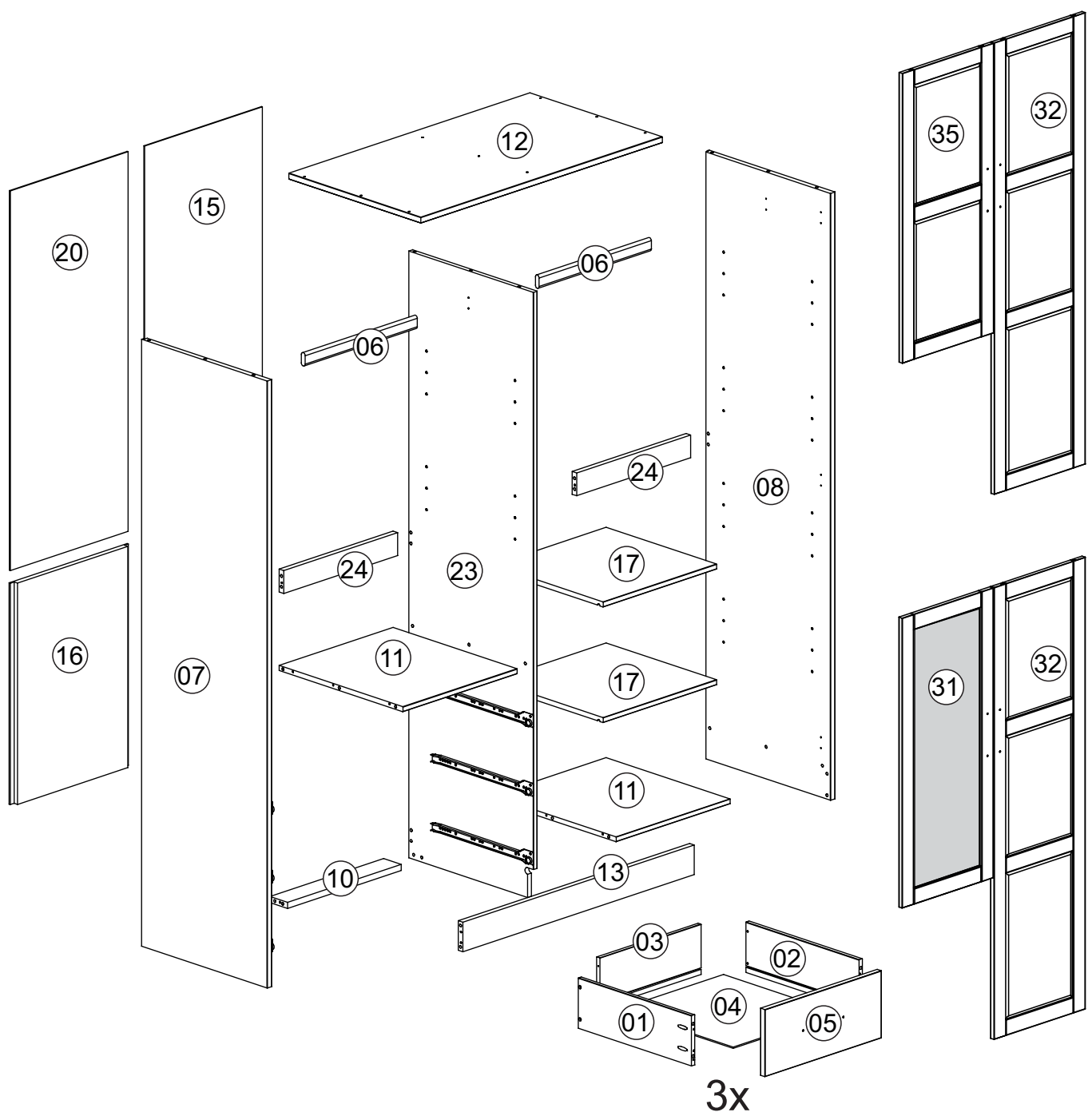
Mirrored Door




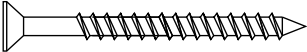
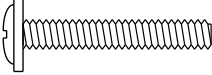



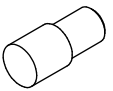
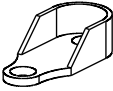

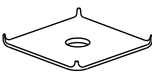
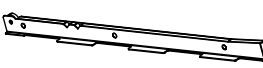
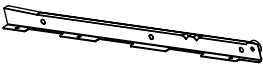
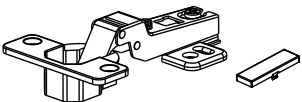
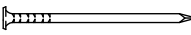
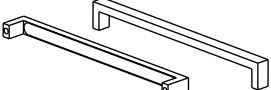
PRE-ASSEMBLY PREPARATION

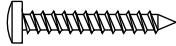
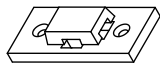

- Please check the contents before assembling. A full checklist of parts is provided below.
- If any parts are missing or damaged, please contact us at info@palaceImportsInc.com
- Assemble on a flat, smooth surface on top of a blank
- Use only low-speed power drill setting
- Assemble as near as possible to the point of use
- The hardware pack contains SMALL ITEMS which should be KEPT AWAY FROM YOUNG CHILDREN

PARTS DIAGRAM



SCREWS ARE SHOWN IN ACTUAL SIZE

A1	 4,0x30	46+2
A16	 4,0x40	09+1
A25	 M4x25	10+1
A42	 4,0x14	20+1
A44	 3,5x14	30+1
C2	 8,0x25	49+2
D4		08+1
D10		04
D16		01
D27		08+1
E17	 450mm - 17 3/4"	03
E18	 450mm - 17 3/4"	03
F10		06
G1	 10x10	52
H12		05

FURNITURE ANTI-TIP KIT		
A8	 3,0x20	02+1
F8		02
F9		01

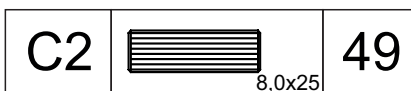
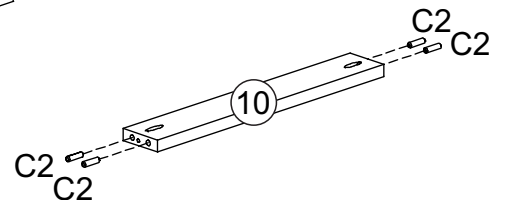
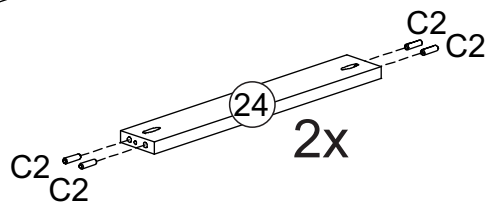
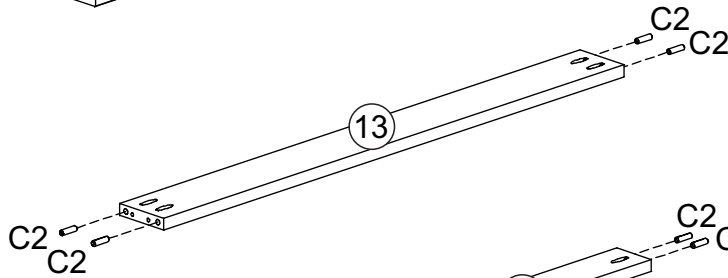
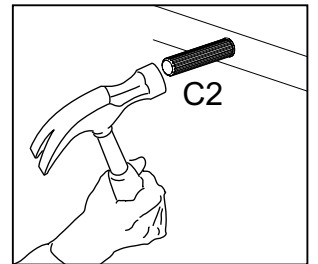
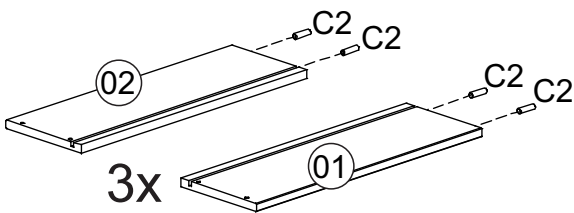
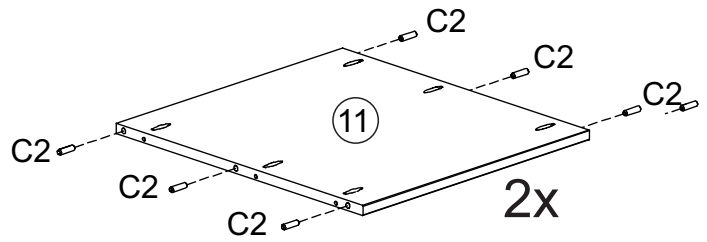
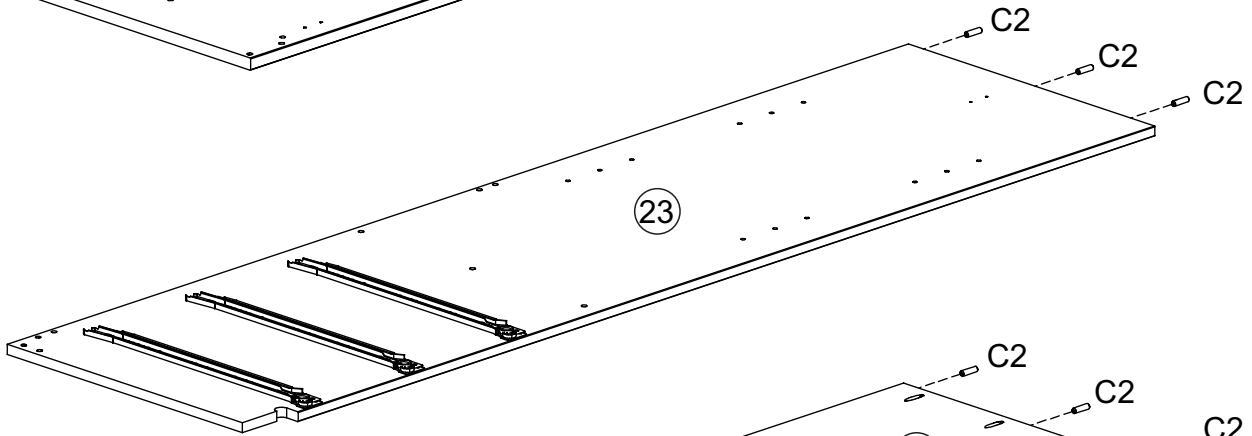
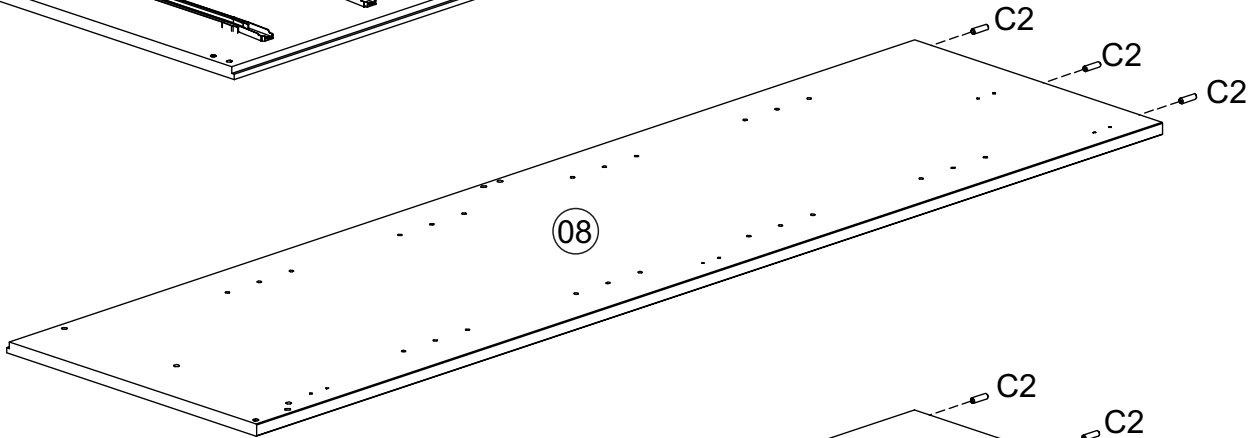
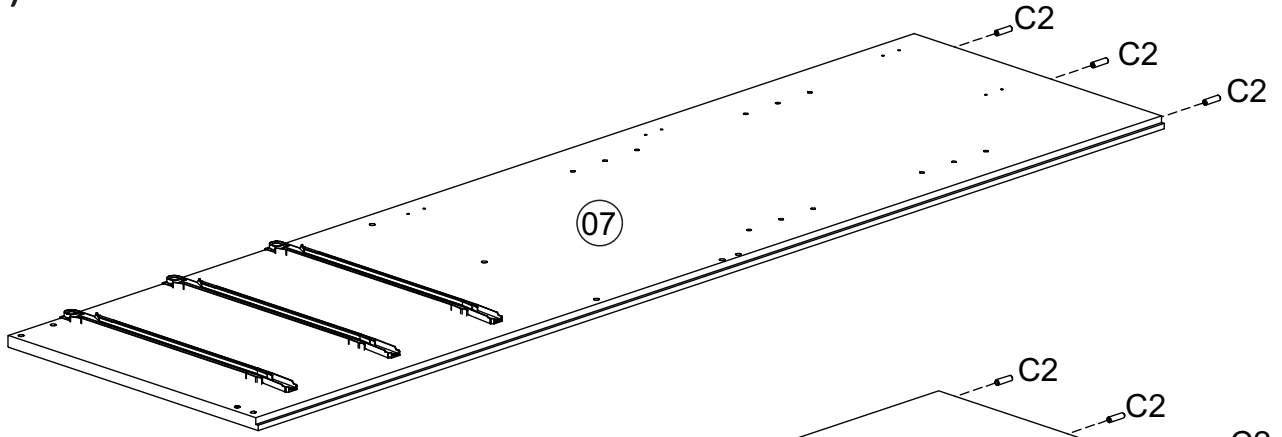
WARNING:
 **CHOKING HAZARD**
 Small Parts.
 Adult Supervision Required.
 Not for children under 3 years old.

WARNING:

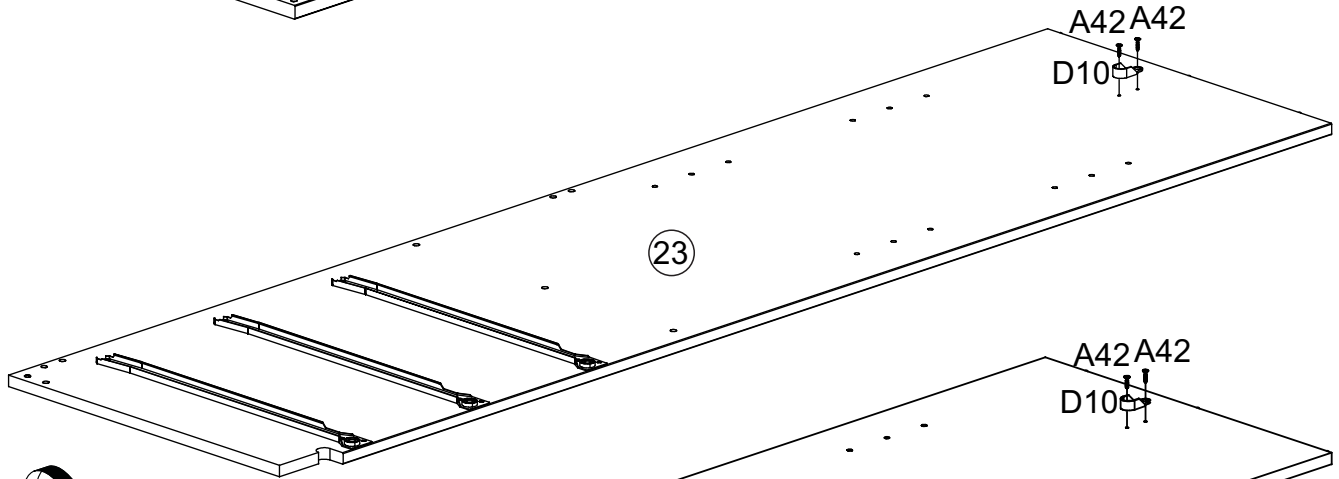
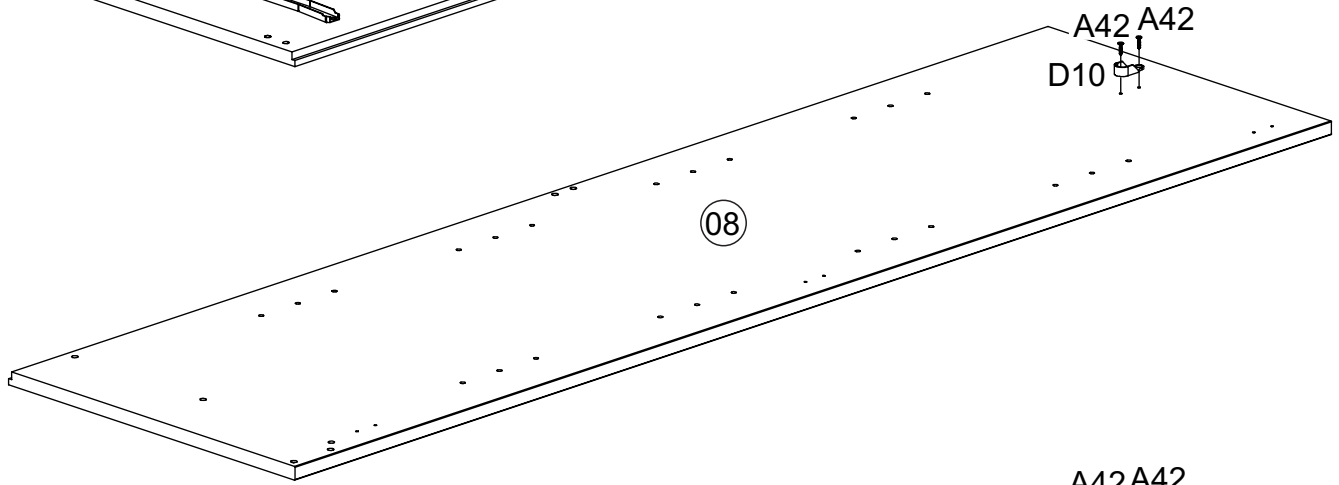
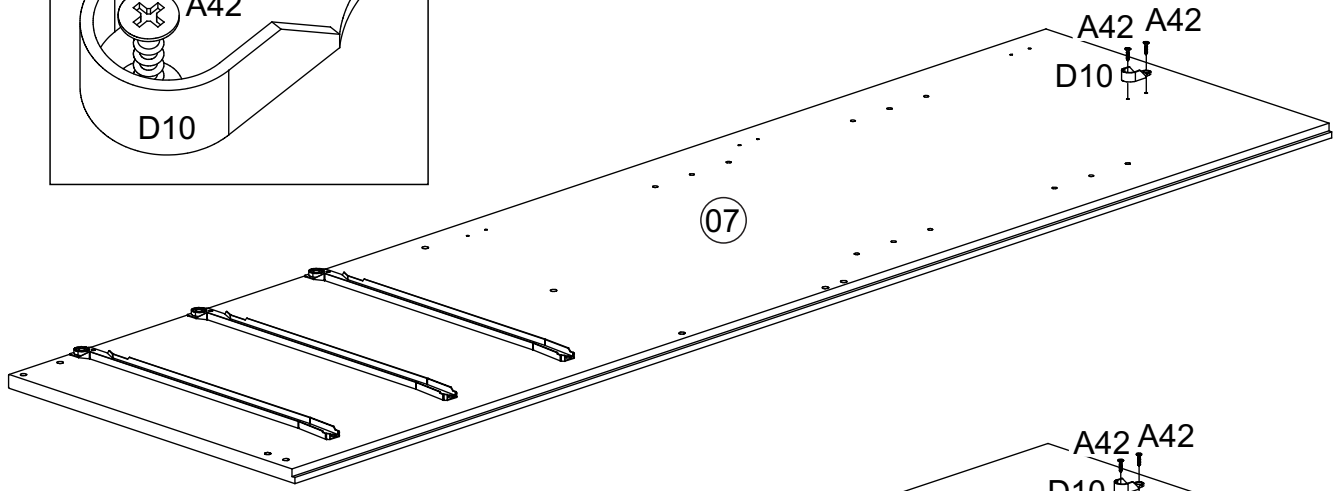
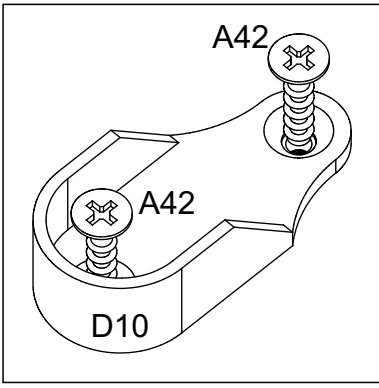
FURNITURE TIPOVER CAN RESULT IN SERIOUS INJURY OR DEATH

This wardrobe includes tipover-prevention hardware that **MUST BE ATTACHED TO THE WALL** per the assembly instructions.

01)



02)

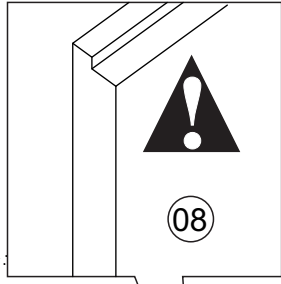


Turn part 23
OVER

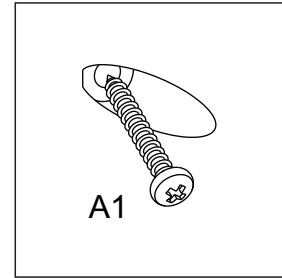
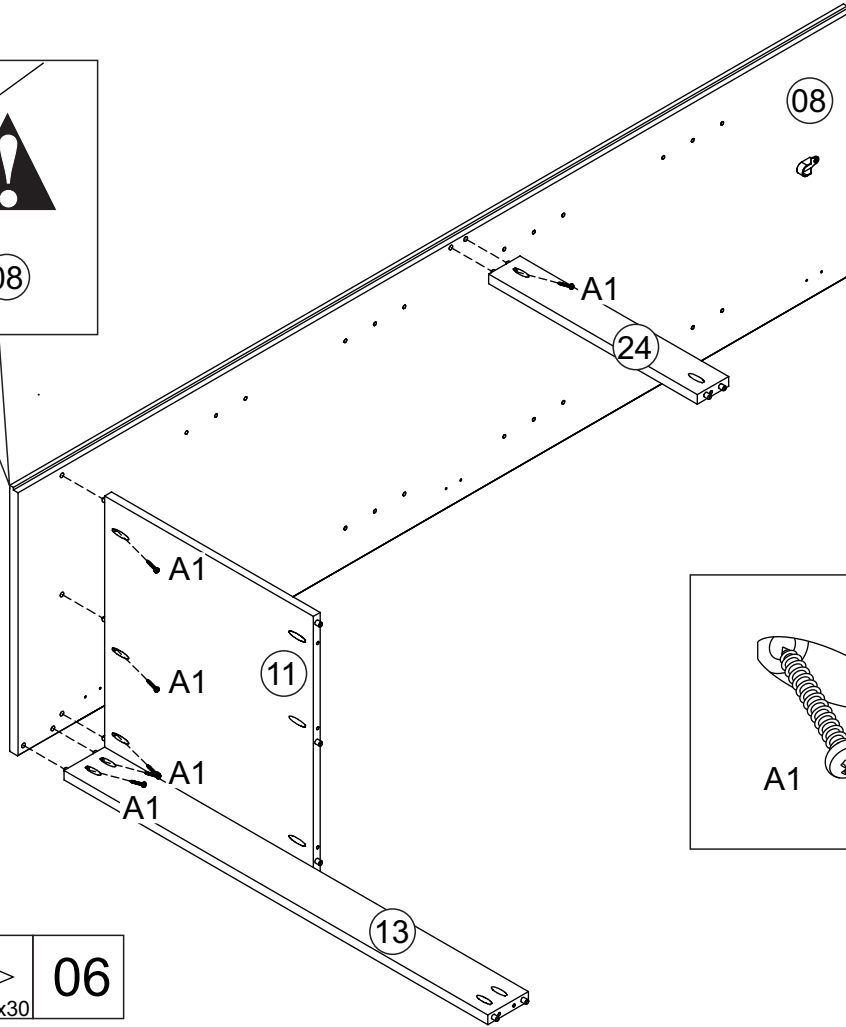
A42		08	D10		04
-----	---	----	-----	---	----

4.0x14

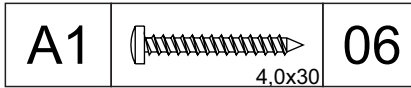
03)



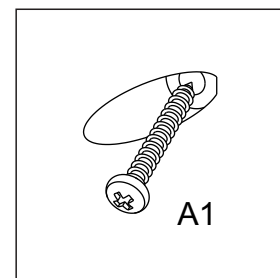
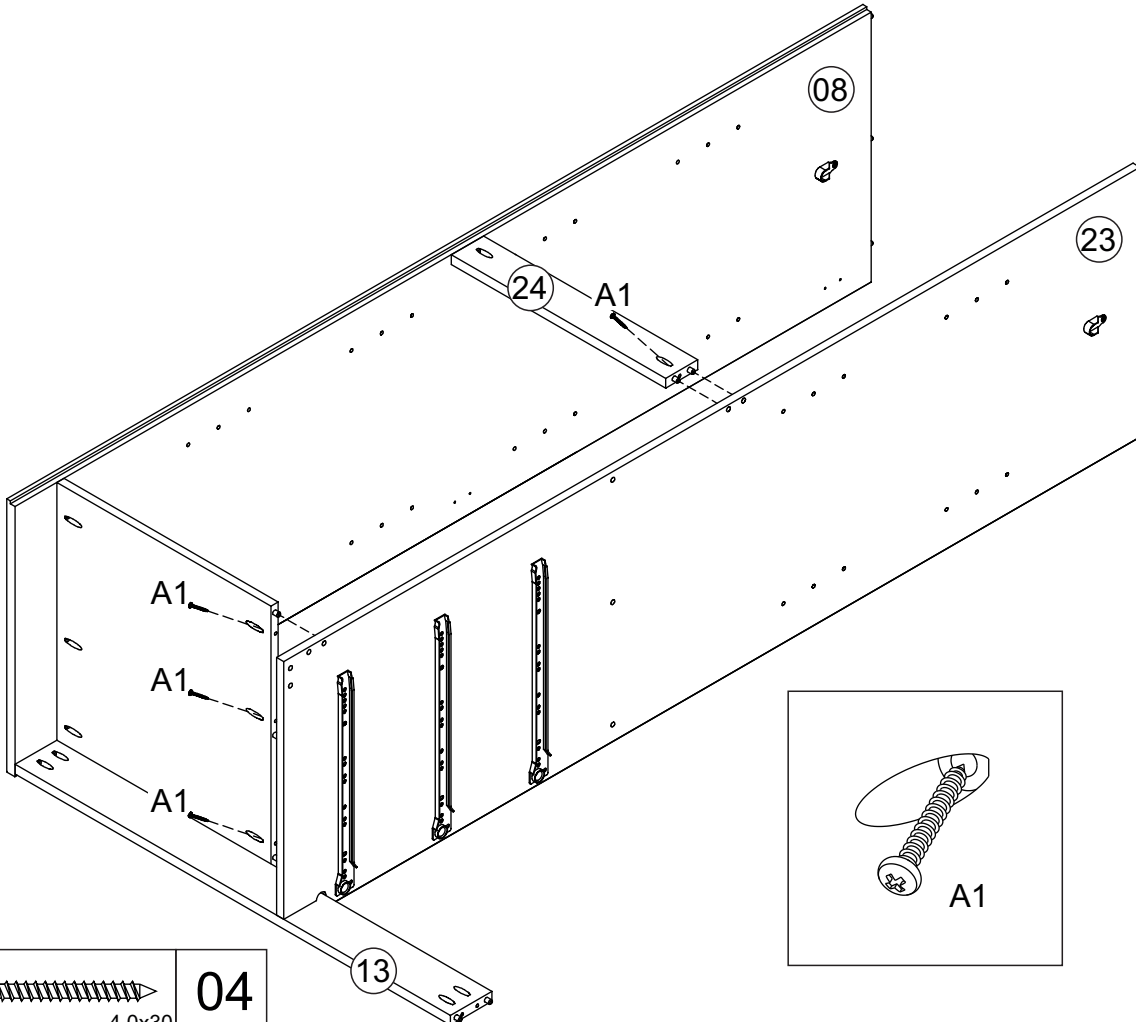
08



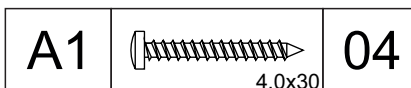
A1



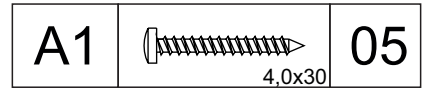
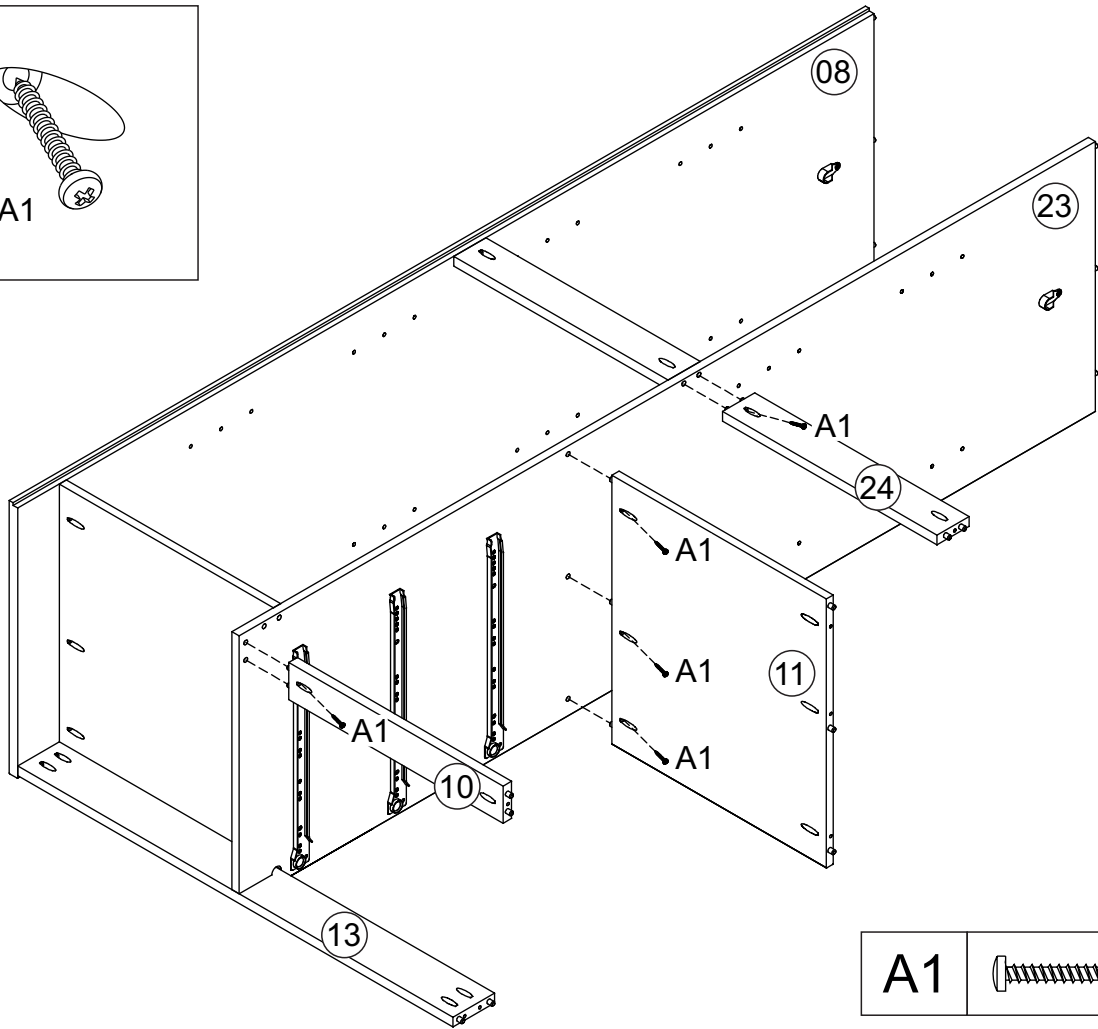
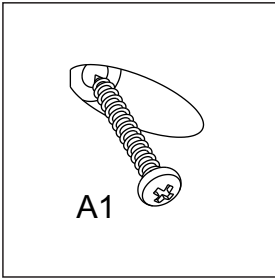
04)



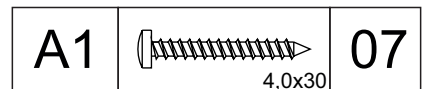
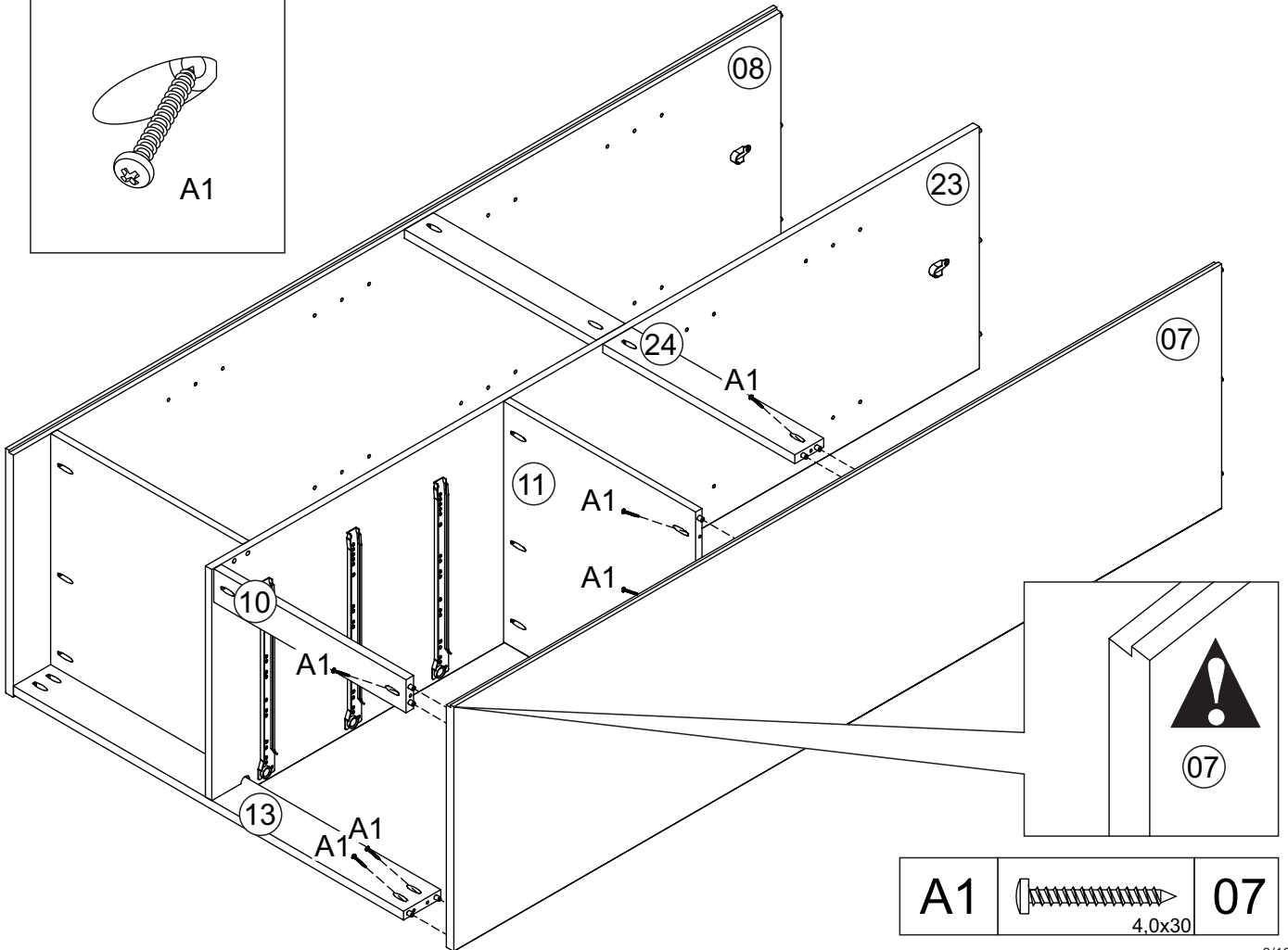
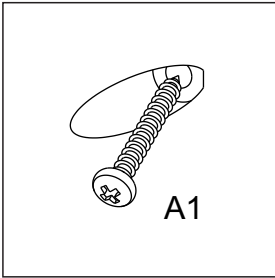
A1



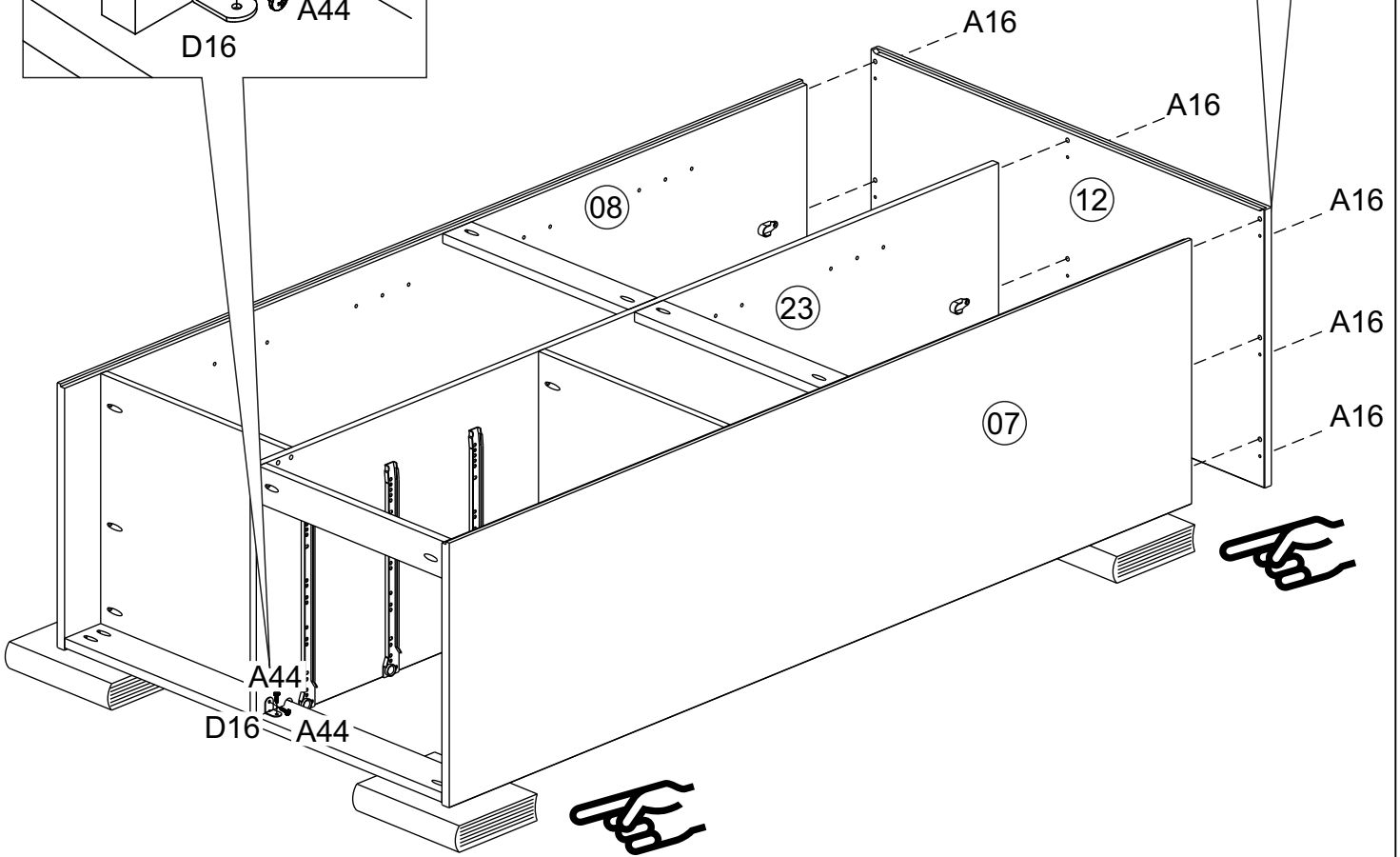
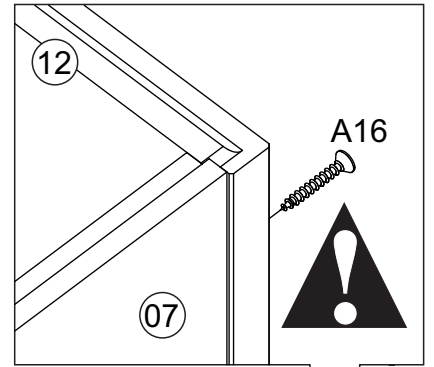
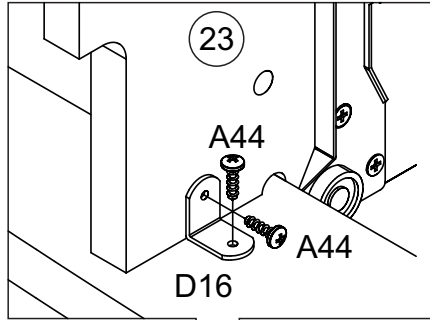
05)


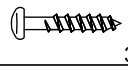



06)

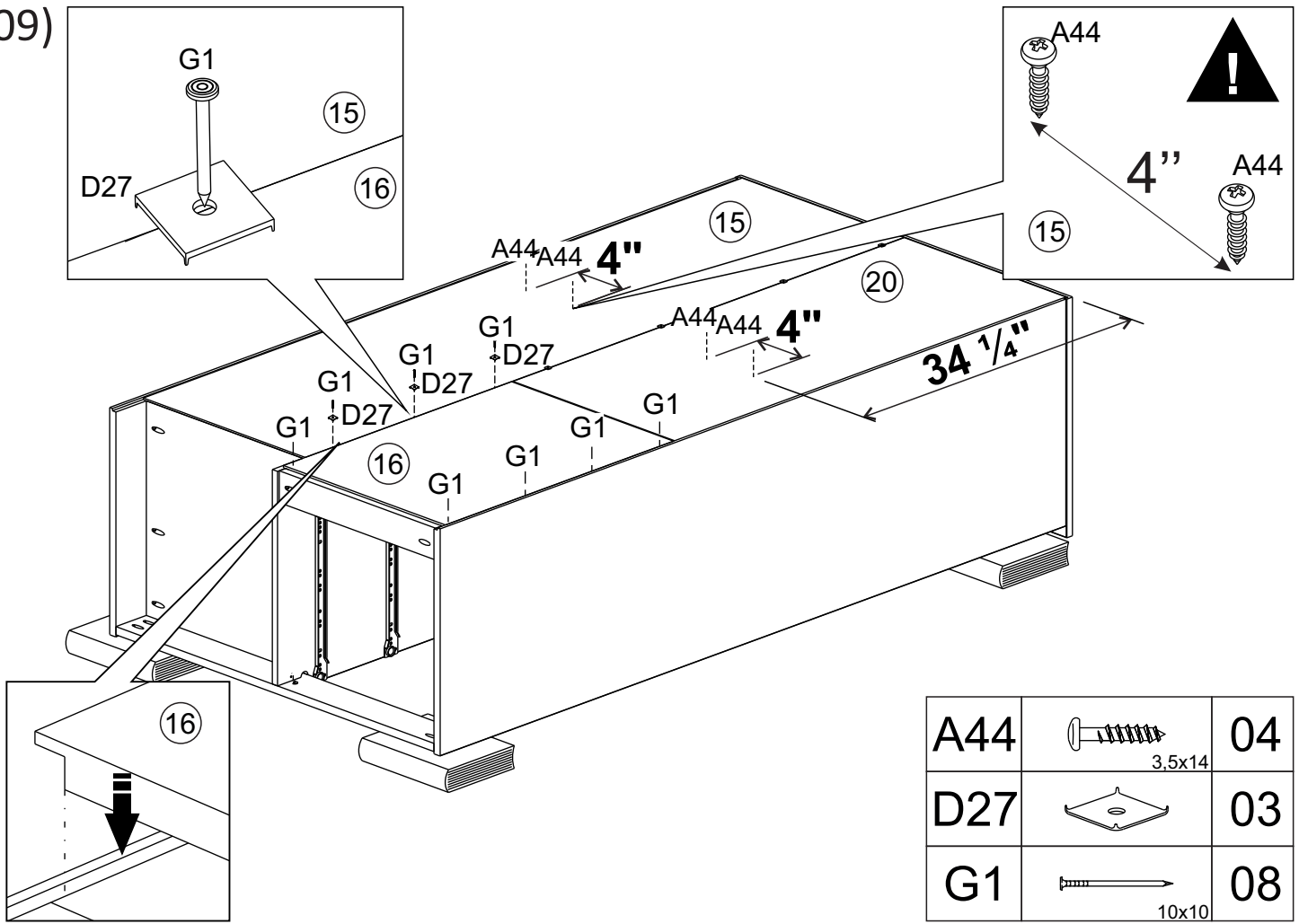


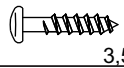


07)



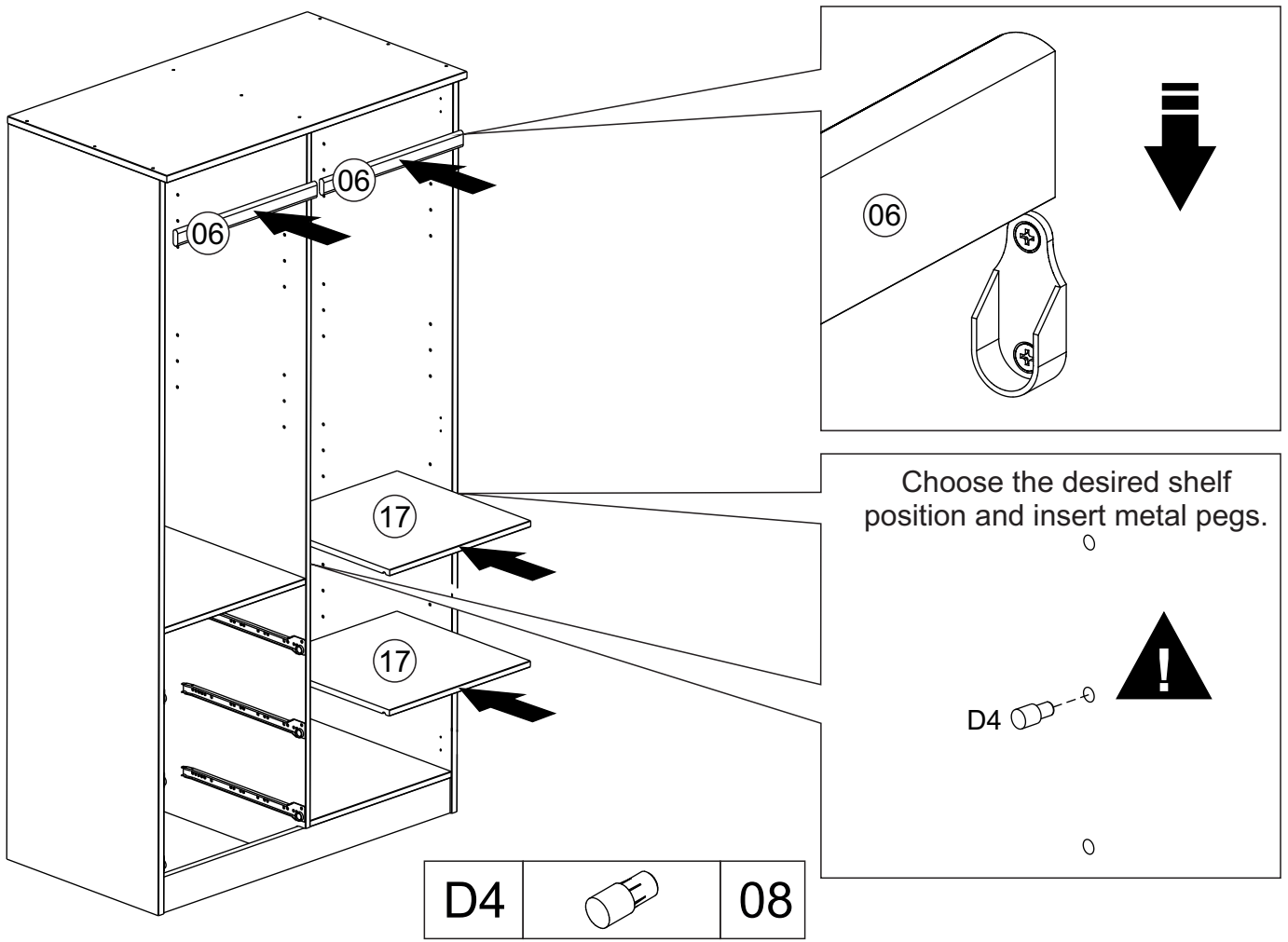
A16	 4,0x40	09
A44	 3,5x14	02
D16		01


09)



A44	 3.5x14	04
D27		03
G1	 10x10	08

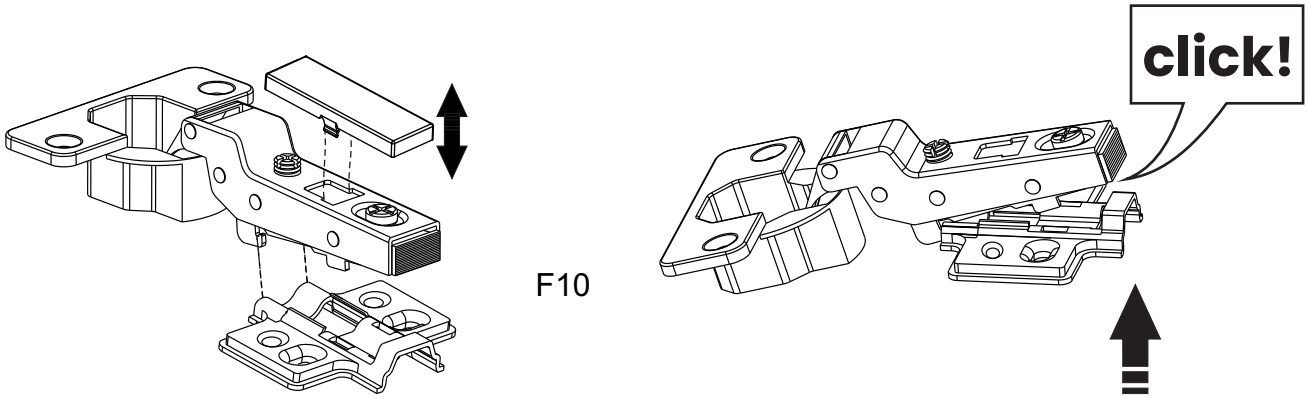
10)



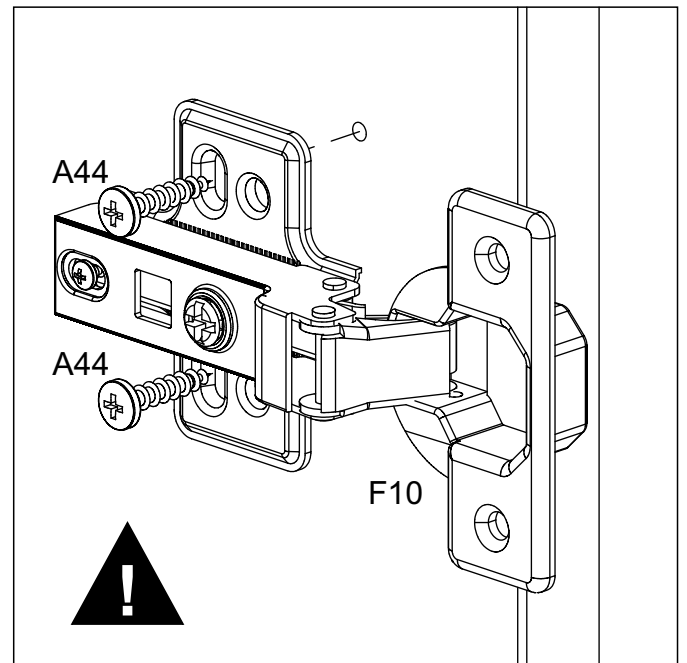
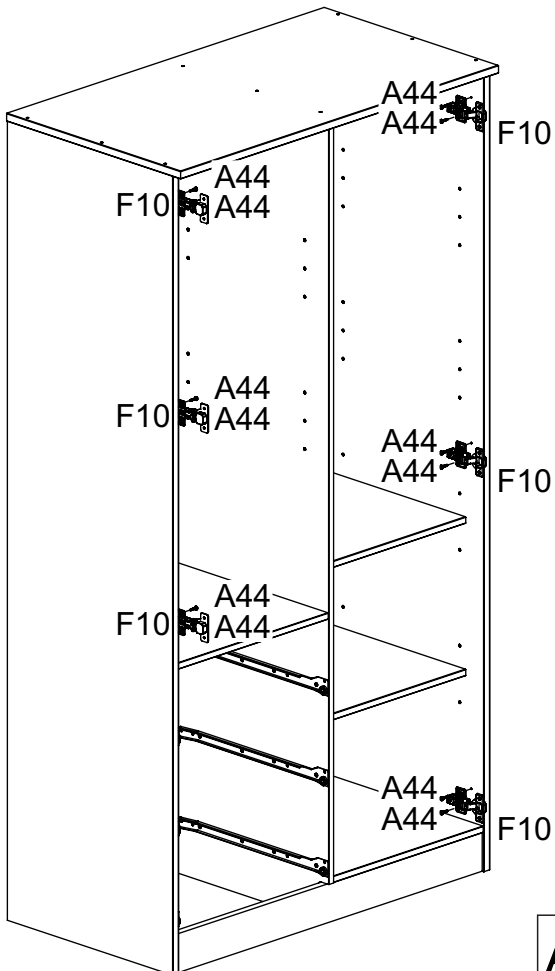
D4		08
----	---	----

11)

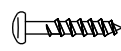
Attach hinge (F10) to hinge plate if it comes separated.
Push hinge against plate until it clicks.



12)



A44



3,5x14

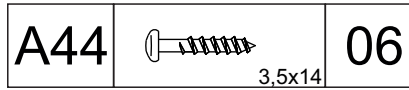
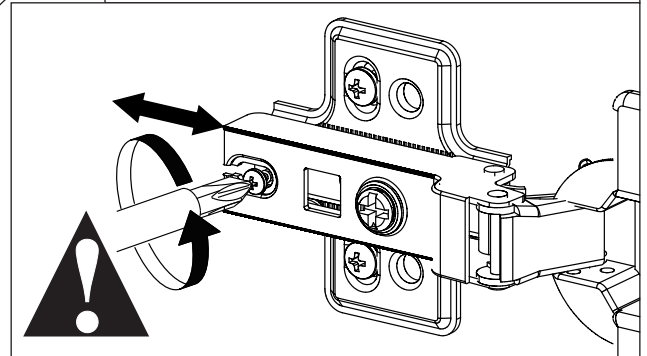
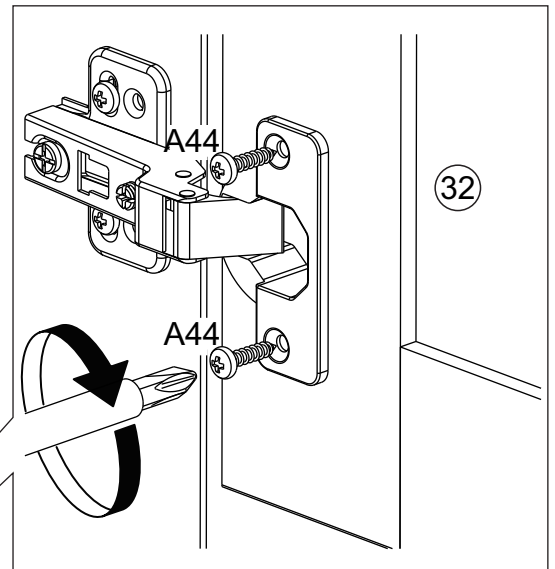
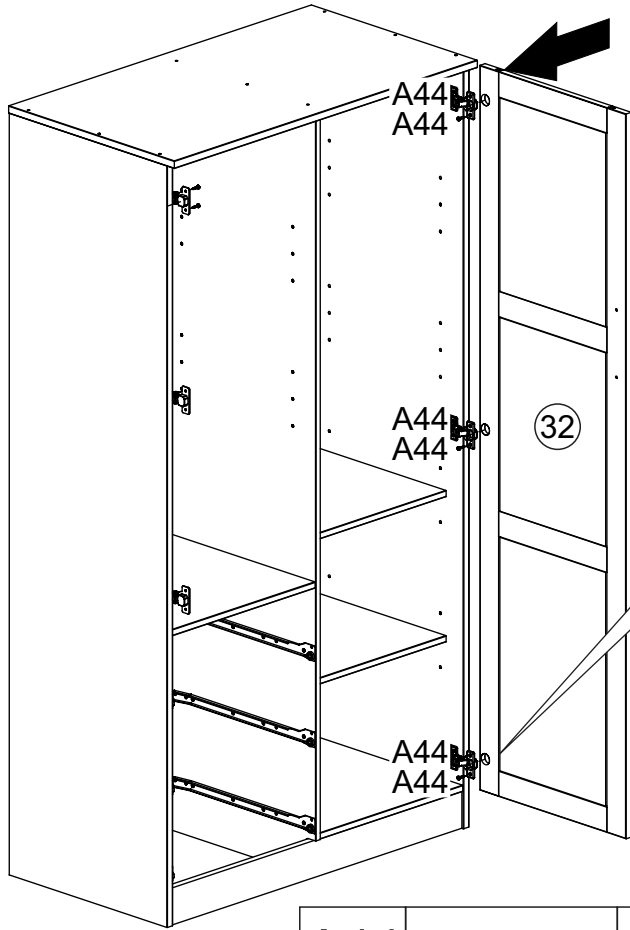
12

F10



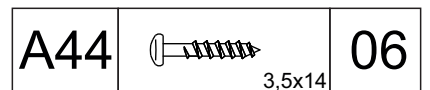
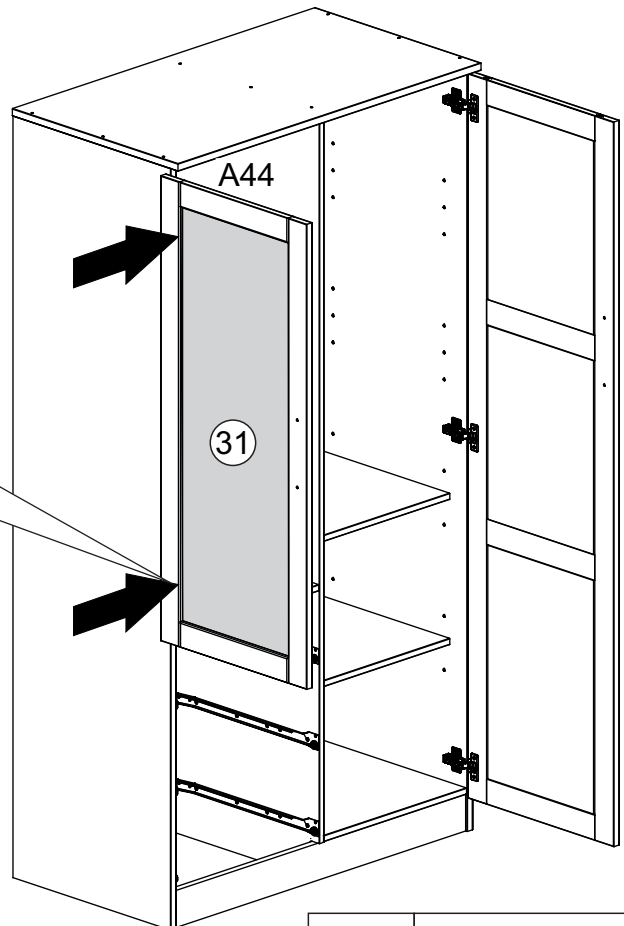
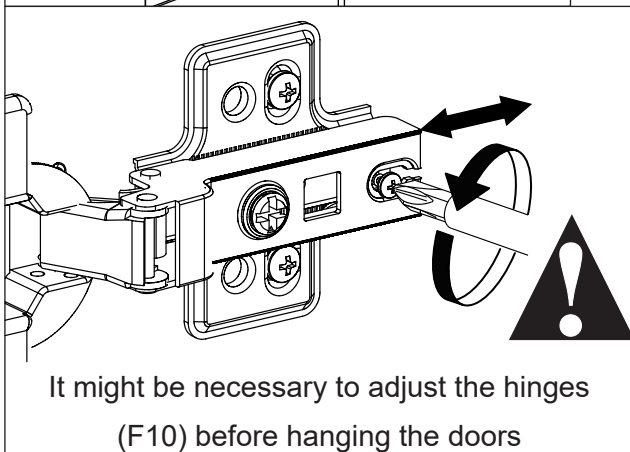
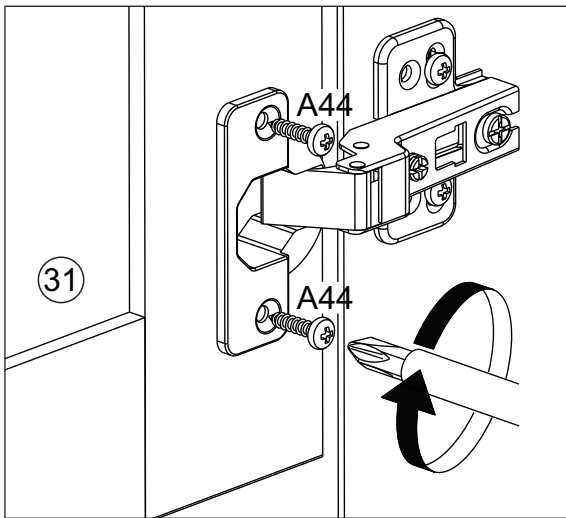
06

13)

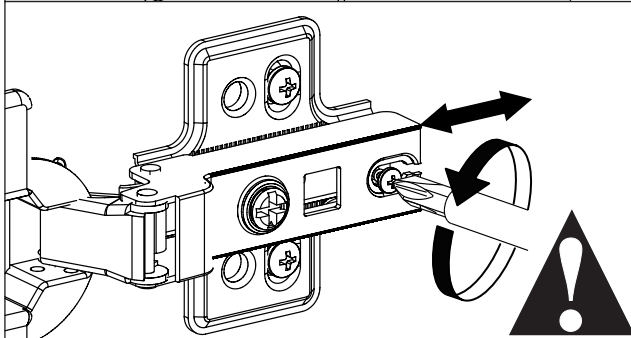
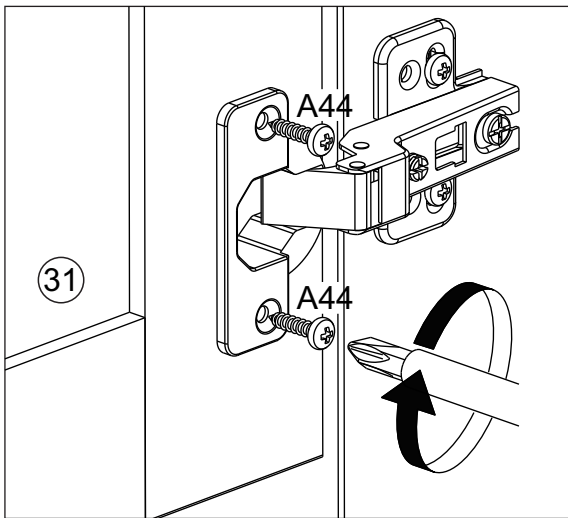


It might be necessary to adjust the hinges (F10) before hanging the doors

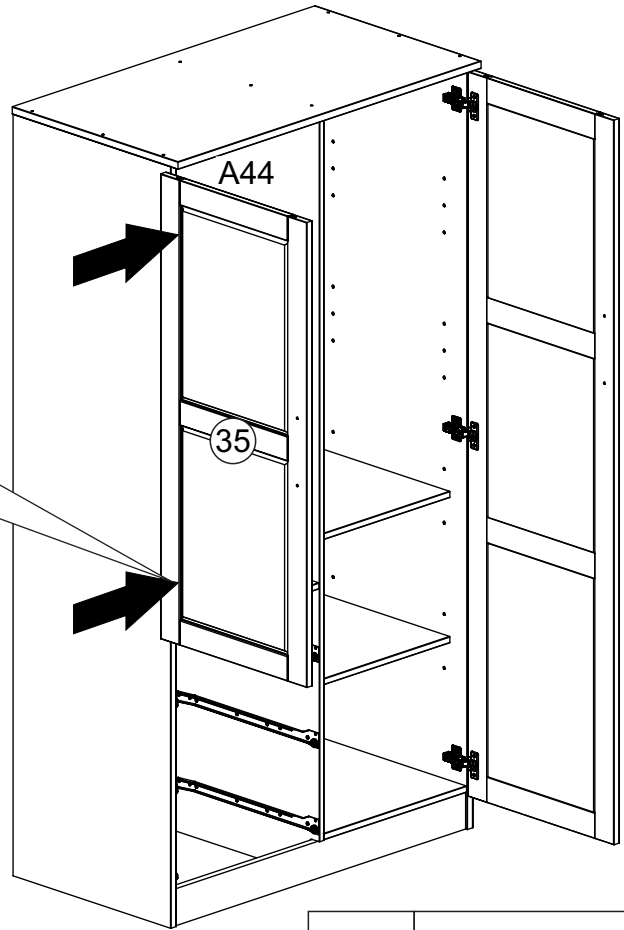
14) Mirrored Door

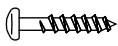


14) Raised Panel Door

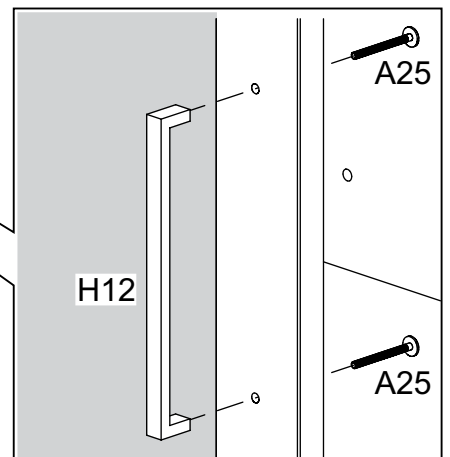
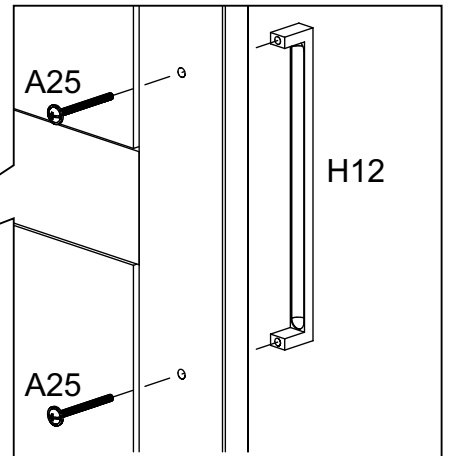
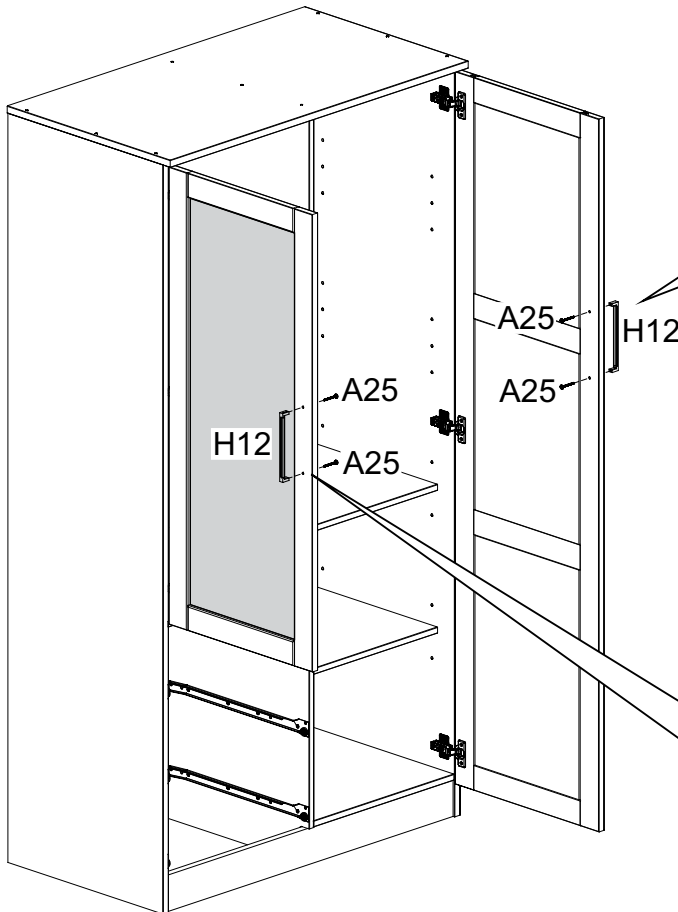



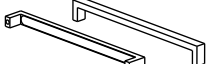
It might be necessary to adjust the hinges (F10) before hanging the doors



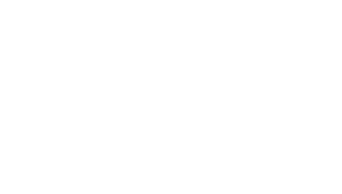
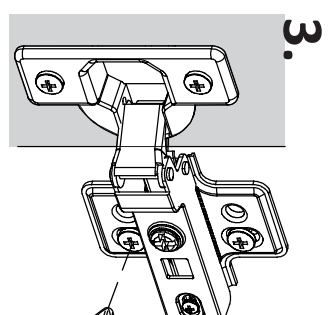
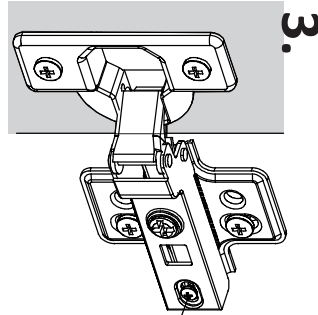
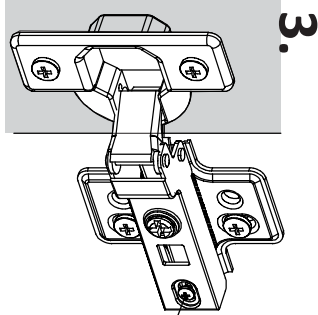
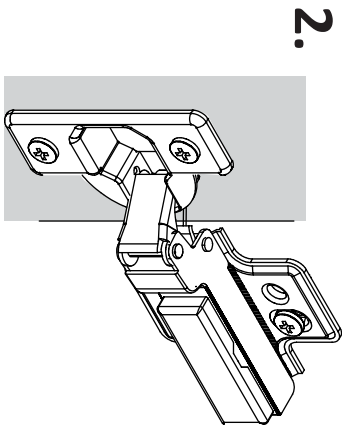
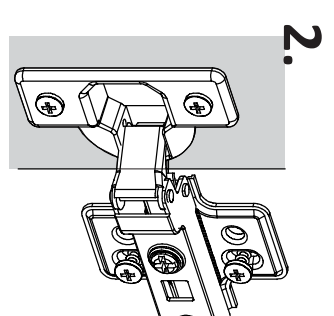
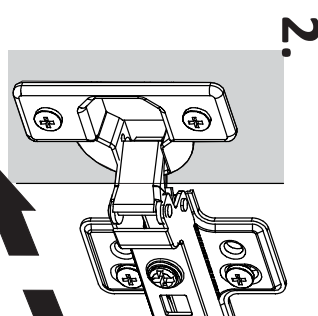
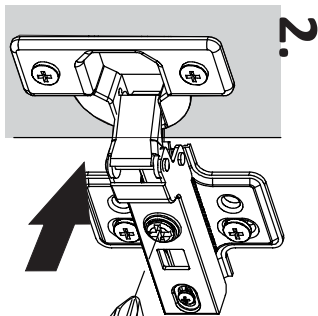
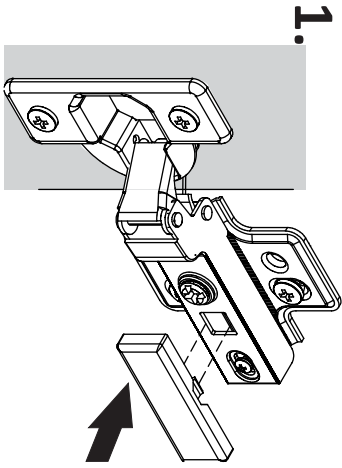
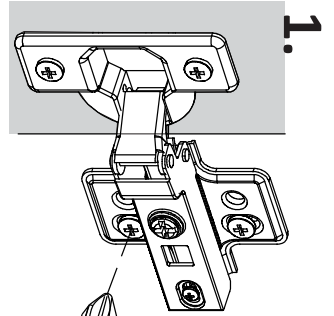
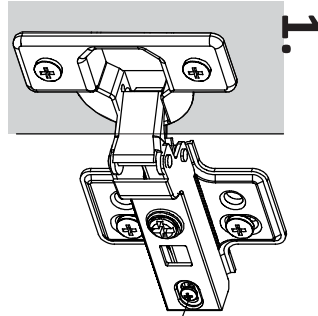
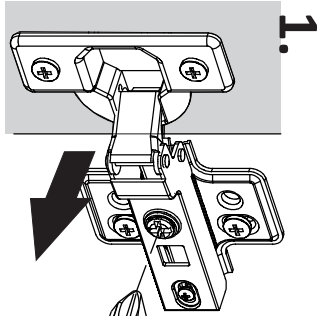
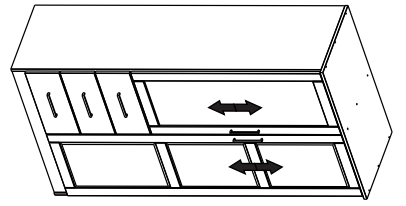
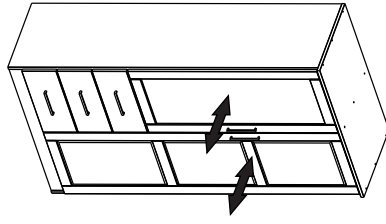
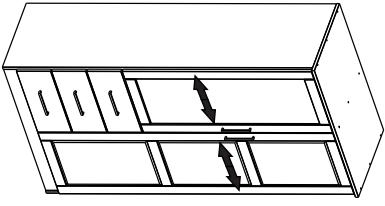
A44		3,5x14	06
-----	---	--------	----

15

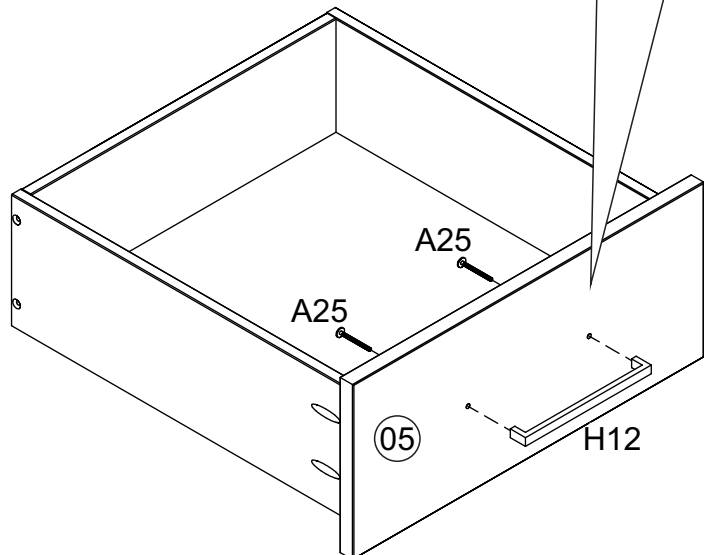
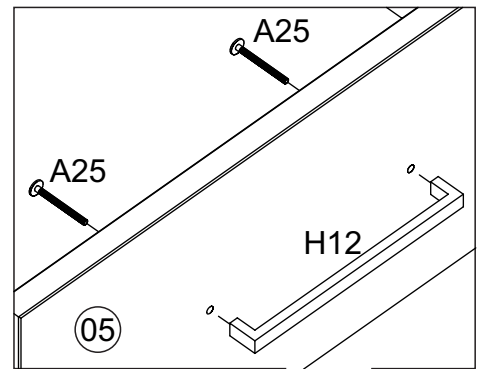
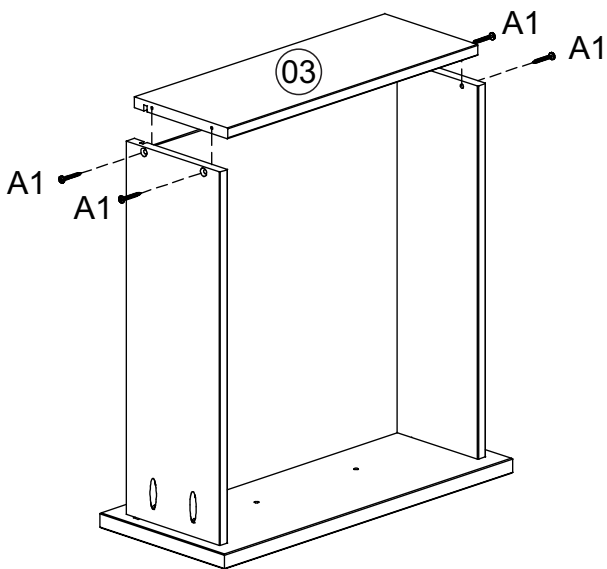
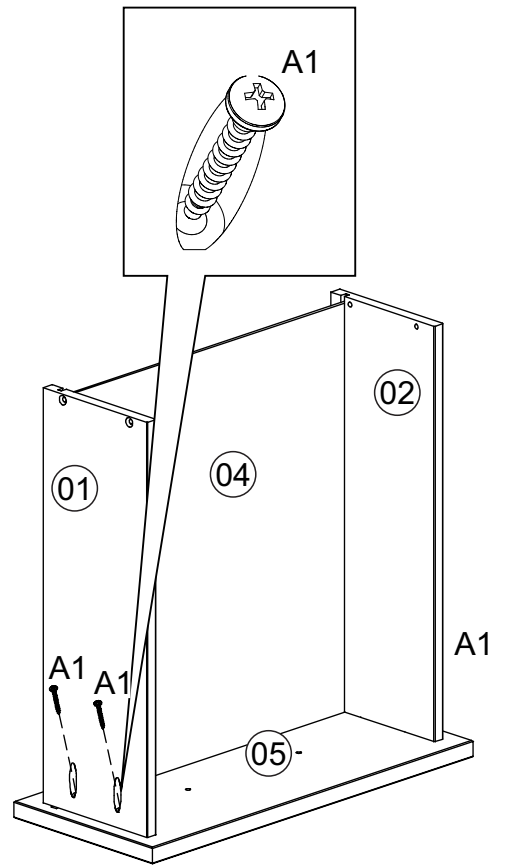
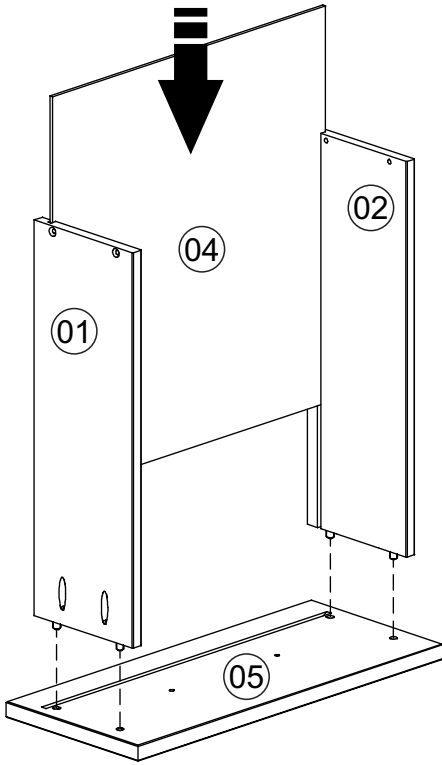


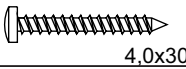


A25		04	H12		02
-----	---	----	-----	---	----

16)

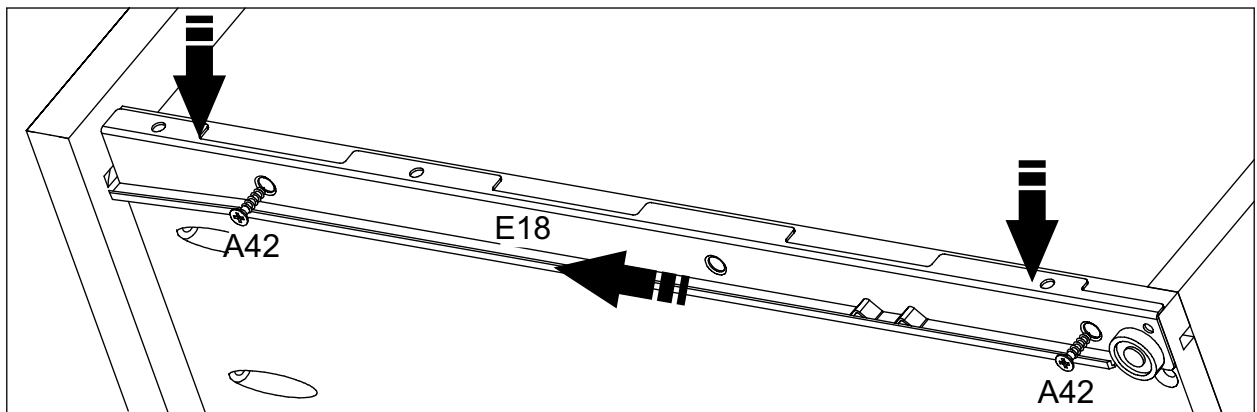
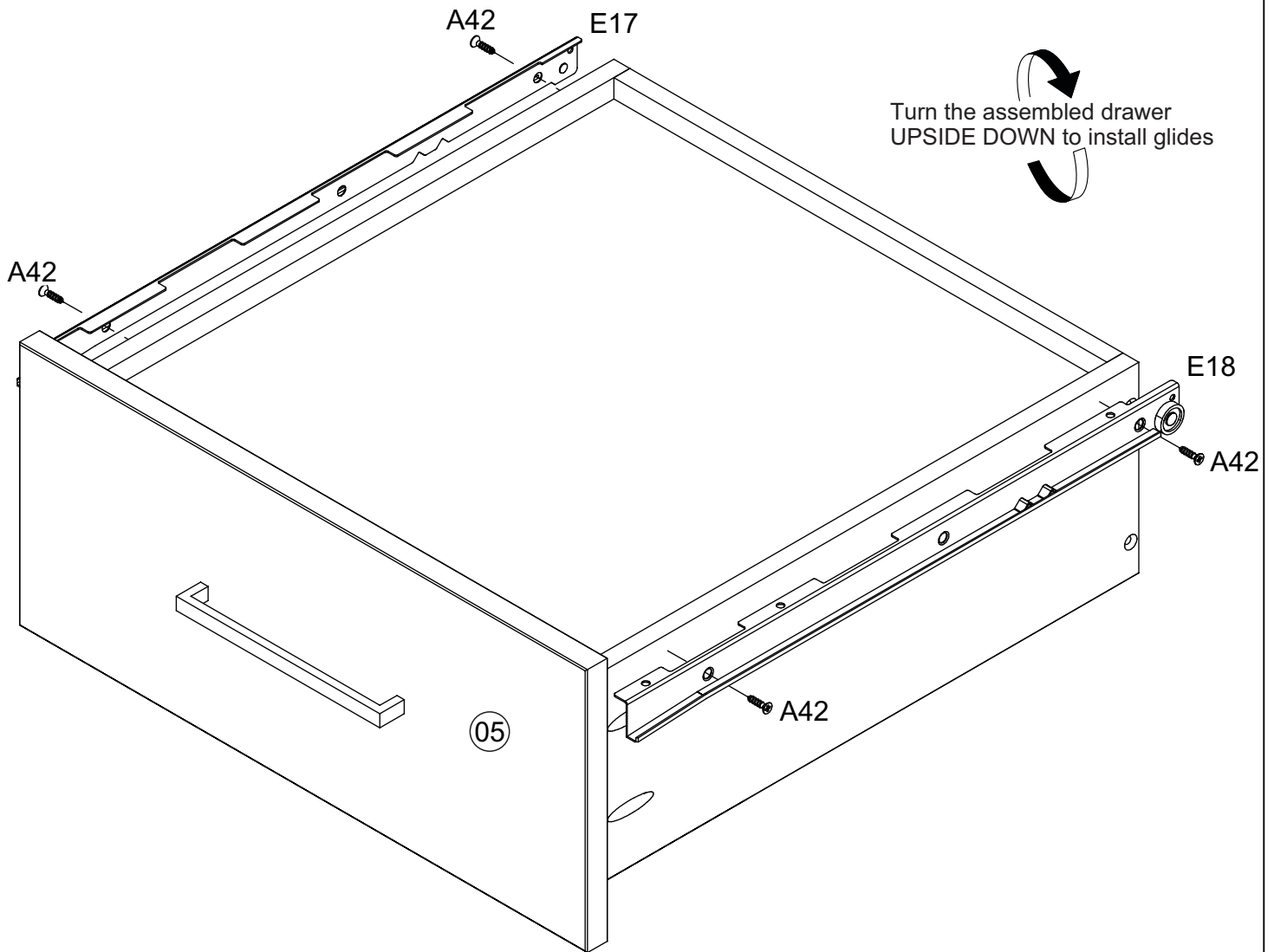
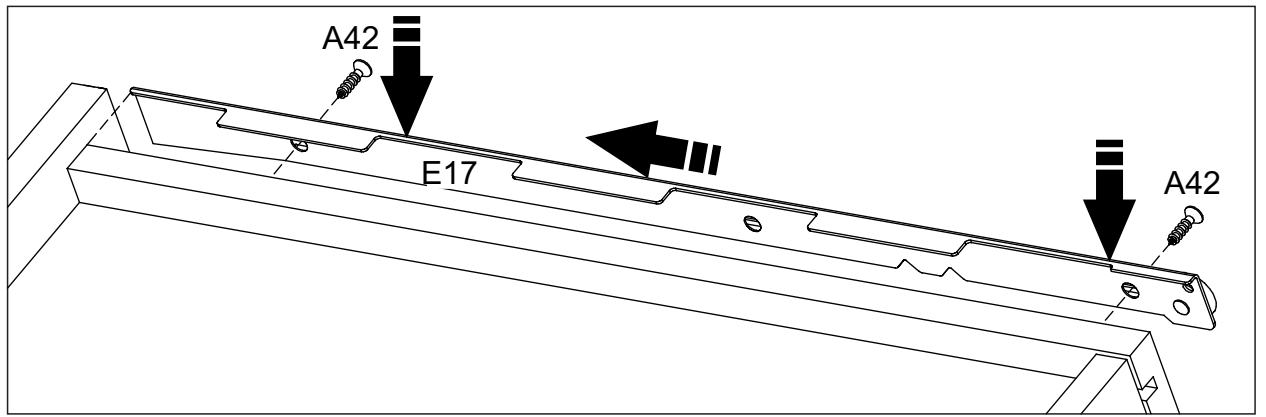



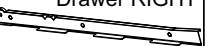
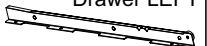
17) 3x



A1	 4.0x30	24
A25	 M4x25	06
H12		03

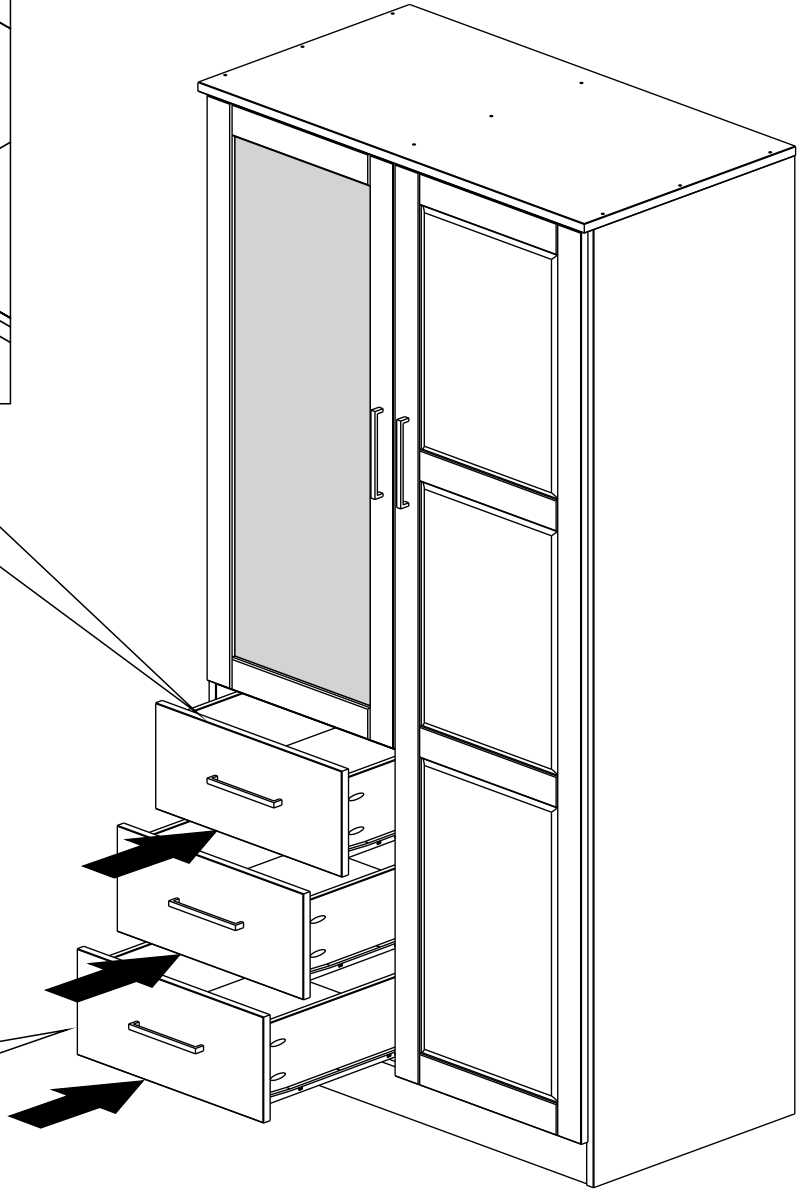
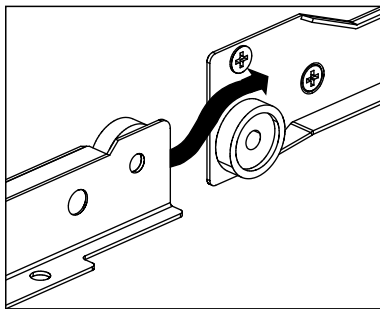
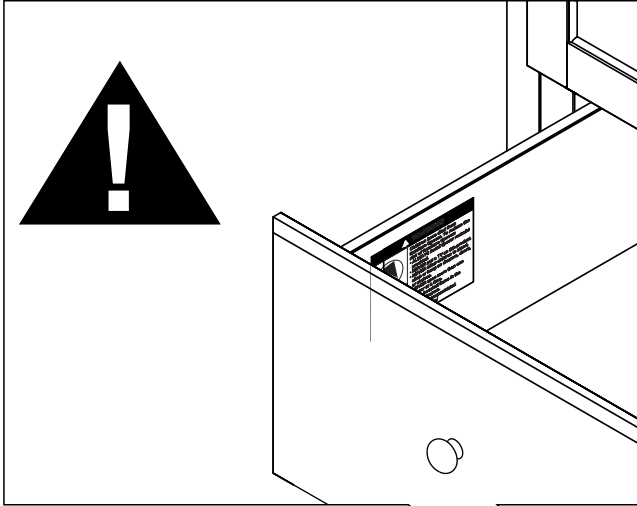
18) 3x



A42	 4,0x14	12	E17	 Drawer RIGHT 450mm - 17 3/4"	03	E18	 Drawer LEFT 450mm - 17 3/4"	03
-----	---	----	-----	--	----	-----	---	----

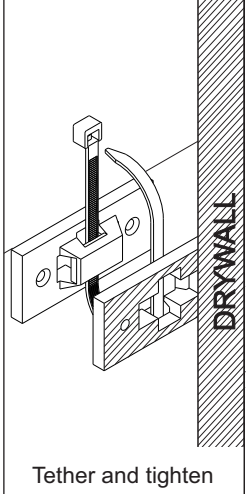
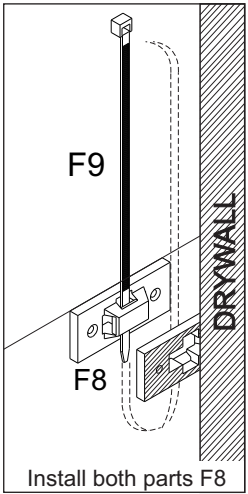
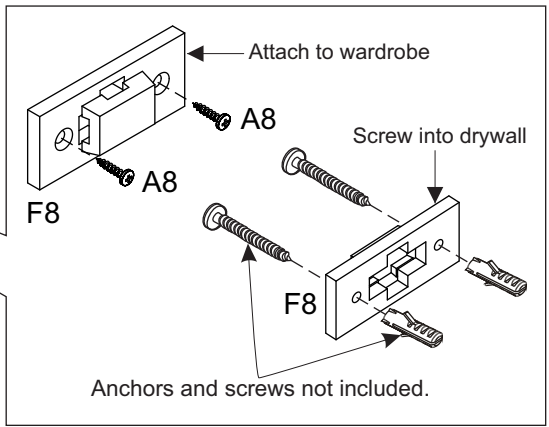
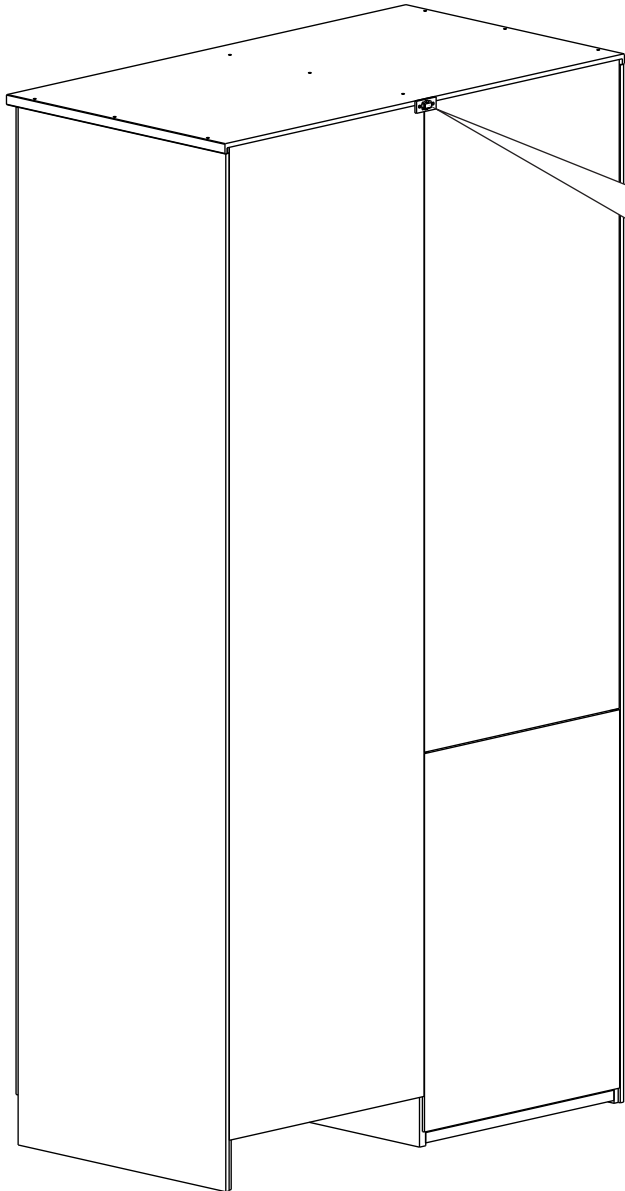
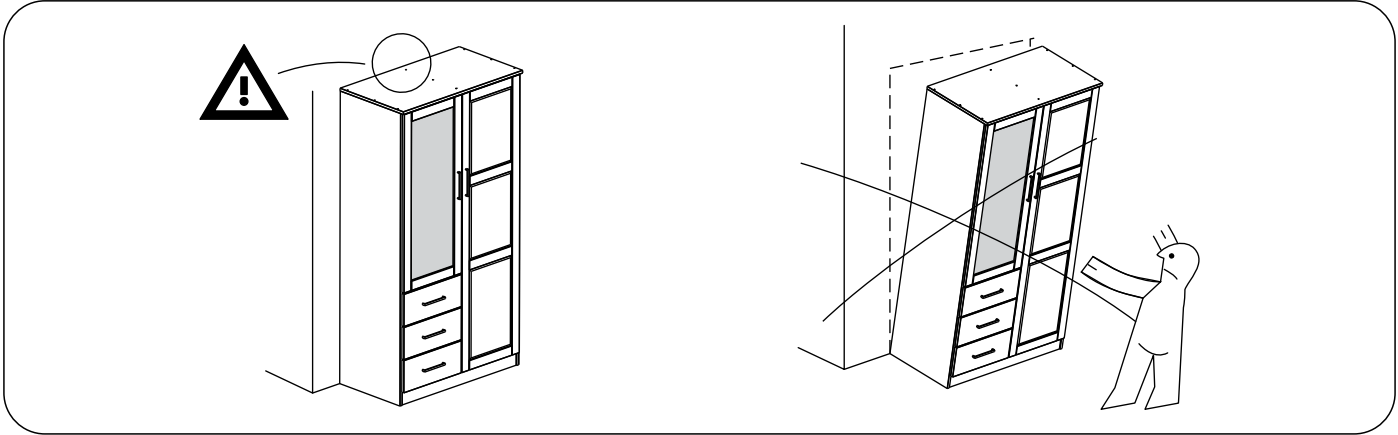
19)


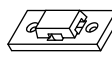

Place the labeled drawer at the top



20)

FURNITURE TIPOVER PREVENTION KIT INSTALLATION



A8	 3.0x20	02
F8		02
F9		01